

**WVS(D) Submersible Steel
Submersible Sewage Pumps**



WVSD

Performance Range

- ⊙ Max. Flow: 27m³/h
- ⊙ Max. Head: 15m

Application Limits

- ⊙ Maximum liquid temperature +40°C
- ⊙ pH level from 4-10
- ⊙ Maximum liquid density 1.2×10³ kg/m³
- ⊙ Power frequency is 50Hz. Nominal voltage is 220VAC for single-phase and 380VAC with tolerance of ±10%.
- ⊙ Immersion depth from 0.5m-5m

Certificate



Application Fields

WVS(D) series pumps are widely applied in industry, agriculture, mining, construction, municipal, environmental protection, etc. They are suitable for draining water containing particles such as short fibers, paper scraps, etc. and soft solid, such as muddy water, dirty water, domestic wastewater, sewage, manure, etc. They are ideal equipment for agricultural irrigation and drainage, pool silt cleaning and site construction, but do not apply to the location with explosion-proof requirements.

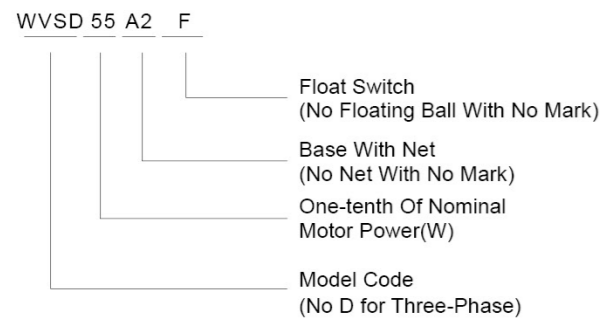
Features

- ⊙ Stainless steel casing and rod bolts, beautiful, durable and stable.
- ⊙ Opening impeller with good flow ability.
- ⊙ The stainless steel shaft extension, carbide double sides mechanical sealing.

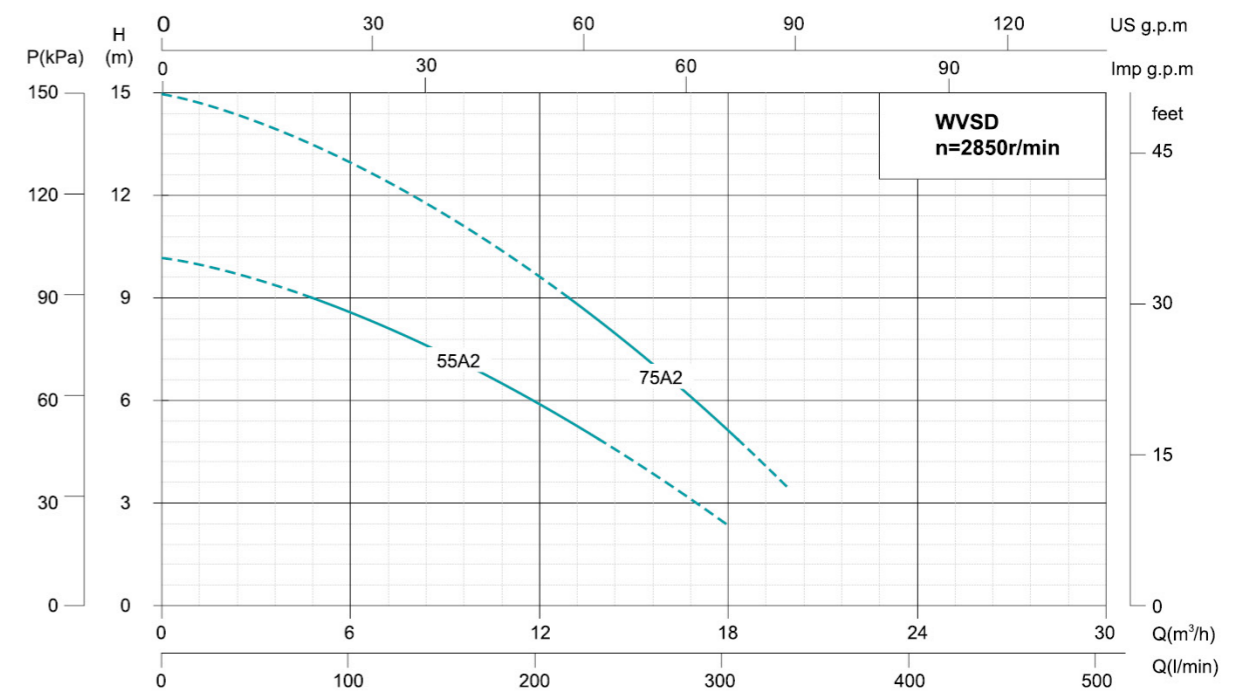
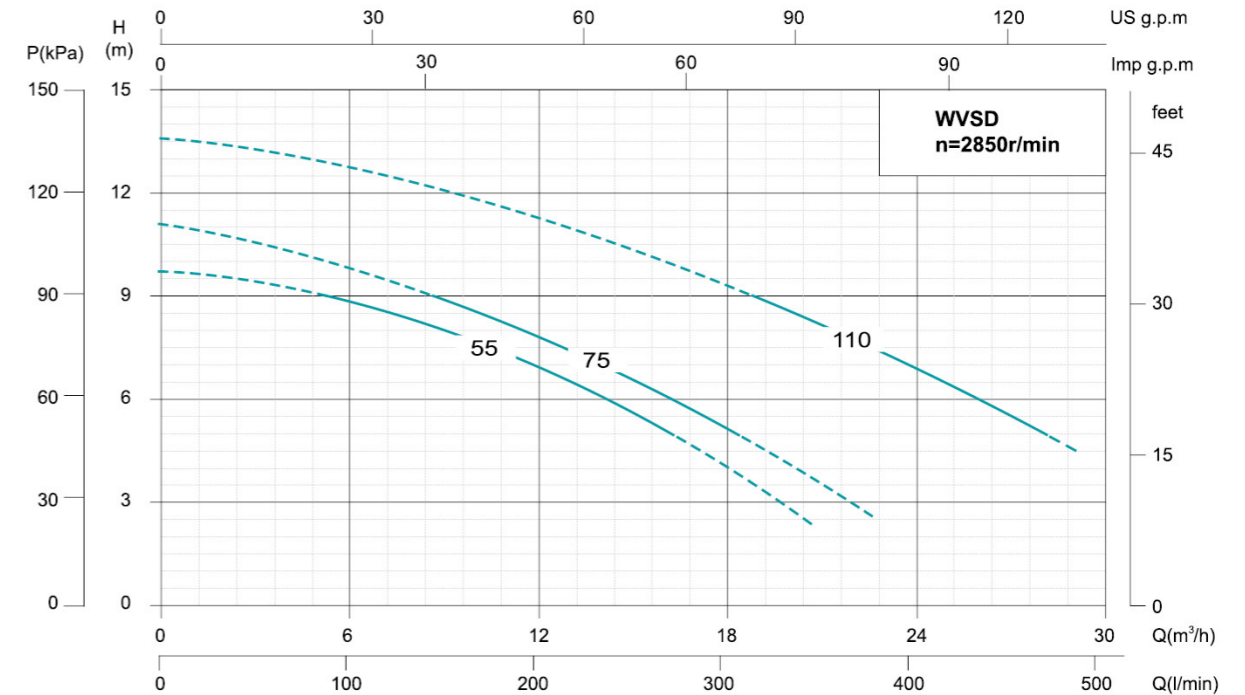
Optional Available on Request

- (*Standard configuration on Page 45)
- ⊙ Other voltage or frequency is 60Hz

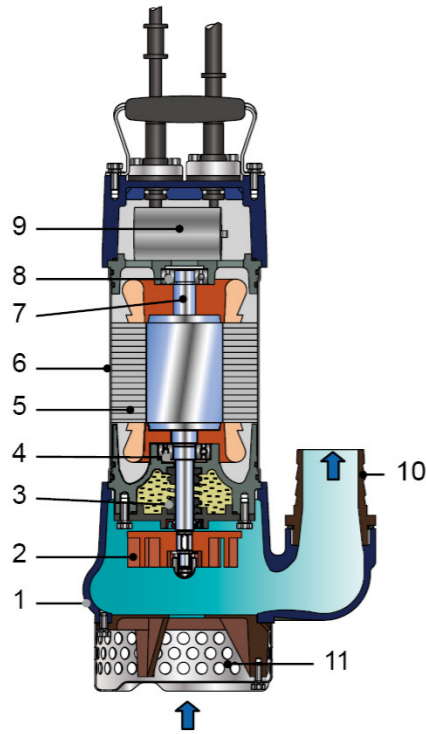
Model Instruction



Performance curves

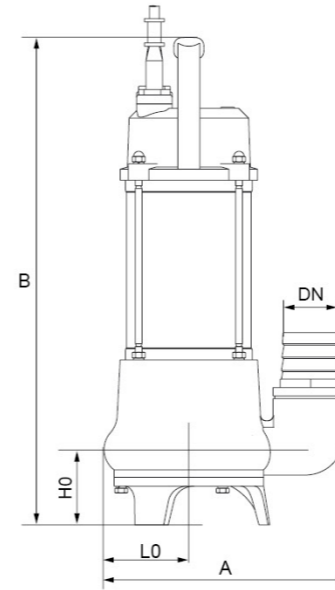


Components & Materials



	Power(kW)	0.55	0.75	1.1
1	Pump Body	HT200		
2	Impeller	HT200		
3	Mechanical Seal	208-14/35 B:A/W:S(PTC)	208-14/35 B:A/W:S(PTC)	208-18/38 B:A/W:S(PTC)
		B-Ceramic A-Graphite S-Silicon carbide		
4	Lower Bearing	6203-2RZ	6203-2RZ	6204-2RZ
5	Motor	Dry motor		
6	Motor Casing	AISI 201		
7	Motor Shaft	AISI 316		
8	Upper Bearing	6202-2RZ	6202-2RZ	6202-2RZ
9	Capacitor(uF)(Only For Single Phase Version)	20uF/450V AC	30uF/450V AC	25uF/450V AC
10	Outlet	HT200		
11	Filter Screen (A)	304		

Dimensions & Weight



Model		Dim.(mm)					N.W. (kg)
Single-Phase	Three-Phase	A	B	L0	H0	DN	
-	WVS75	220	460	79	67	51	17.5
-	WVS110	245	475	90	83	51	20
WVSD55F	-	220	440	79	67	51	16
WVSD75F	-	220	460	79	67	51	18
WVSD110F	-	245	475	90	83	51	22
WVSD55A2F	-	225	435	80	89	51	16
WVSD75A2F	-	225	455	80	89	51	18
-	WVS75A2	225	455	80	89	51	17.5

Performance Details & Dimensions & Weight

Single-Phase	Three-Phase	Power		Rate Current (A)	Max. Flow (m³/h)	Max. Head (m)	Head Range (m)	Solids Passage (mm)	Cable line (m)	Dim.mm (L×W×H)	G.W. (kg)	20' Loading Qty. (pcs)
		kW	HP									
-	WVS75	0.75	1	2	21	12	5~9	40	4*0.75-5	260*190*500	18.5	1056
-	WVS110	1.1	1.5	2.7	27	12	5~9	45	4*0.75-5	285*205*505	21	880
WVSD55F	-	0.55	0.75	4.1	18	10	5~9	40	3*0.75-5	260*190*480	17	1056
WVSD75F	-	0.75	1	5.2	21	12	5~9	40	3*1-5	260*190*500	19	1056
WVSD110F	-	1.1	1.5	7.3	27	13	5~9	45	3*1.5-5	285*205*505	23	880
WVSD55A2F	-	0.55	0.75	4.1	18	13	5~9	10	3*0.75-5	260*190*450	17	1320
WVSD75A2F	-	0.75	1	5.2	20	15	5~9	10	3*1-5	260*190*470	19	1056
-	WVS75A2	0.75	1	2	20	15	5~9	10	4*0.75-5	260*190*470	18.5	1056

Centrifugal pumps are not recommended to be used less than the lift range.

