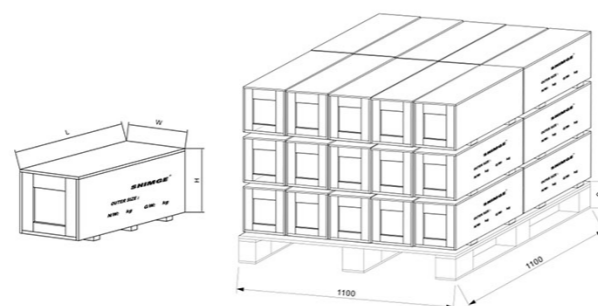


Performance Details & Dimensions & Weight

Model		Power		Rate Current (A)	Solids Passage (mm)	Max. Flow (m ³ /h)	Max. Head (m)	Head Range (m)	Cable line (m)	Dim. mm (L×W×H)	G.W. (kg)	20' Loading Qty. (pcs)
Single-Phase	Three-Phase	kW	HP									
WQD4-10-0.55H1	-	0.55	0.75	4.1	13	16	15	0~15	3*0.75-8	525×310×275	32	616
WQD5-15-0.75H1	-	0.75	1	5.2	13	17	18	0~18	3*0.75-8	525×310×275	32	616
WQD10-7-0.75H1	-	0.75	1	5.2	20	22	14	0~14	3*0.75-8	660×310×260	34	513
WQD7-15-1.1H1	-	1.1	1.5	7.3	17	24	22	0~22	3*1-8	660×310×260	37	513
WQD10-10-1.1H1	-	1.1	1.5	7.3	20	24	15	0~15	3*1-8	660×310×260	36	513
WQD15-7-1.1H1	-	1.1	1.5	7.3	20	24	15	0~15	3*1-8	660×310×260	36	513
-	WQ5-15-0.75H1	0.75	1	2	13	17	18	0~18	4*0.75-8	525×310×260	30	693
-	WQ10-7-0.75H1	0.75	1	2	20	22	14	0~14	4*0.75-8	660×310×260	32	513
-	WQ7-15-1.1H1	1.1	1.5	2.7	17	24	22	0~22	4*0.75-8	660×310×260	35	513
-	WQ10-10-1.1H1	1.1	1.5	2.7	20	24	15	0~15	4*0.75-8	660×310×260	34	513
-	WQ15-7-1.1H1	1.1	1.5	2.7	20	24	15	0~15	4*0.75-8	660×310×260	34	513
-	WQ10-15-1.5H1	1.5	2.2	3.6	18	26	22	0~22	4*1-8	715×320×295	47	448
-	WQ15-10-1.5H1	1.5	2.2	3.6	30	31	15	0~15	4*1-8	745×320×295	47	432
-	WQ25-7-1.5H1	1.5	2.2	3.6	30	31	15	0~15	4*1-8	745×320×295	47	432
-	WQ9-22-2.2H1	2.2	3	5.1	18	29	29	0~29	4*1-8	715×320×295	51	448
-	WQ15-15-2.2H1	2.2	3	5.1	18	29	29	0~29	4*1-8	715×320×295	51	448
-	WQ25-10-2.2H1	2.2	3	5.1	30	36	18	0~18	4*1-8	745×320×295	51	432
-	WQ35-7-2.2H1	2.2	3	5.1	36	62	15	0~15	4*1-8	780×325×305	52	378



WQK Submersible Pump For Dirty Water



WQK

Performance Range

- ⊙ Max. Flow: 97m³/h
- ⊙ Max. Head: 44m

Application Limits

- ⊙ Maximum liquid temperature +40°C
- ⊙ pH level from 4-10
- ⊙ Maximum liquid density 1.2×10³ kg/m³
- ⊙ Power frequency is 50Hz. Nominal voltage 380VAC or 415VAC for three phase with the range from -10% to 10%.
- ⊙ Immersion depth from 0.5m-5m

Certificate

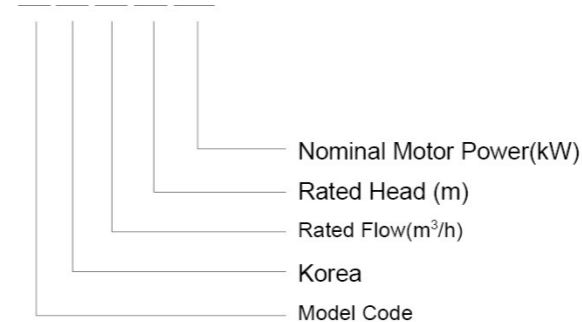


Application Fields

WQK(50Hz) series pumps are widely applied in industry, agriculture, mining, construction, municipal, environmental protection, etc. They are suitable for draining water containing particles such as short fibers, paper scraps, etc. and soft solid, such as muddy water, dirty water, domestic wastewater, sewage, manure, etc. They are ideal equipment for agricultural irrigation and drainage, pool silt cleaning and site construction, but do not apply to the location with explosion-proof requirements.

Model Instruction

WQ K 18 - 15 - 2.2



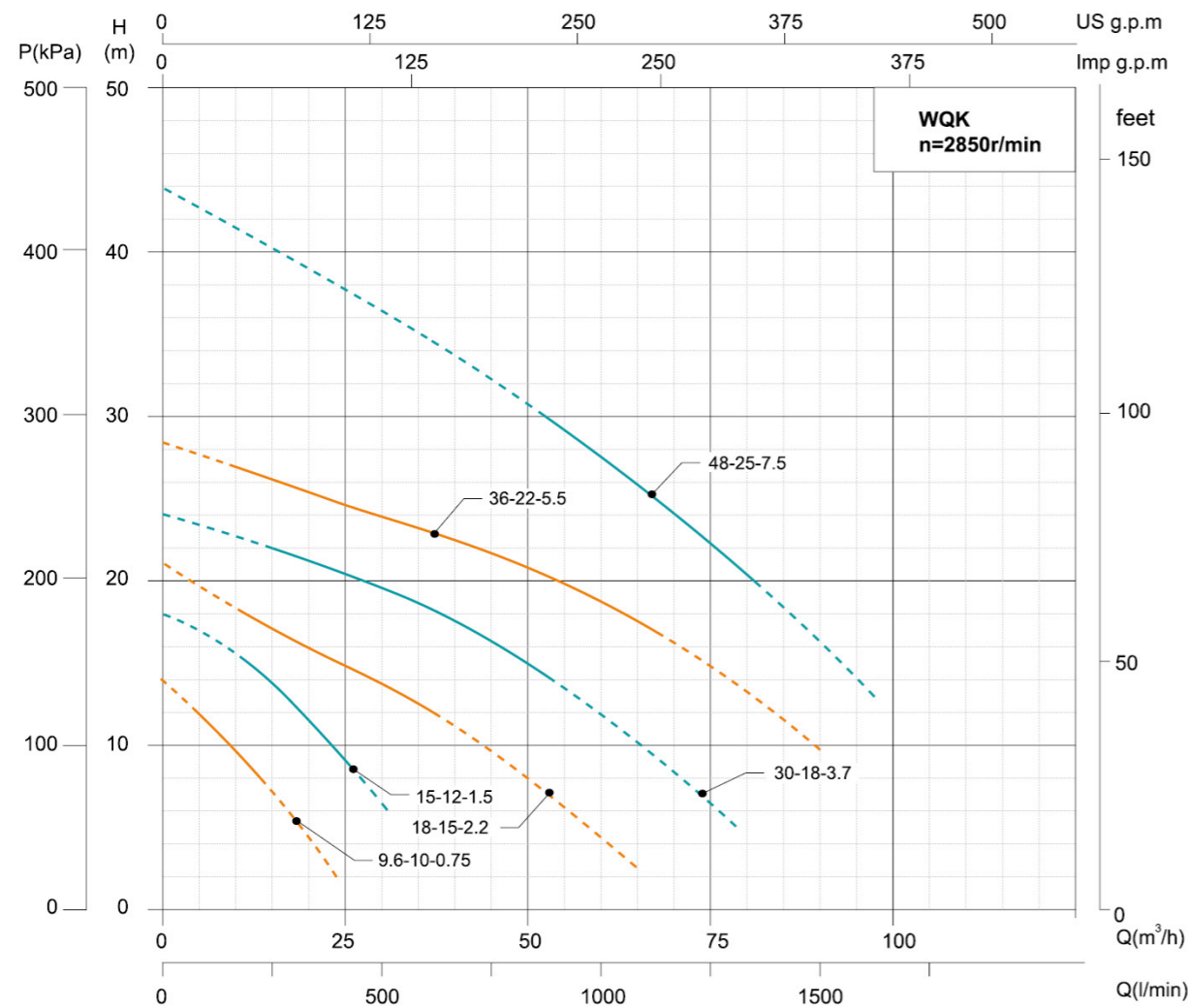
Features

- ⊙ The durable whole cast iron parts design.
- ⊙ The shaft material are all of stainless steel material 2Cr13 carbide double sides mechanical sealing.
- ⊙ Cutting impeller, objects can be cut up.
- ⊙ Can be configured coupling bend, the water festival and directly connected with pipe thread or NPT threaded pipe bending.

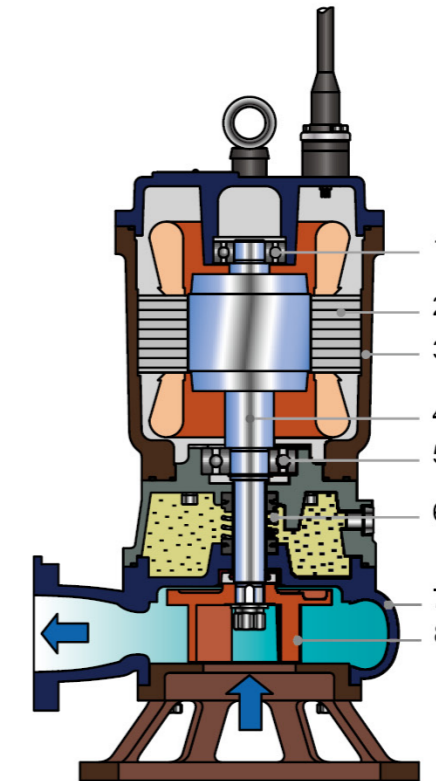
Optional Available on Request

(*Standard configuration on Page 68)

Performance Curves

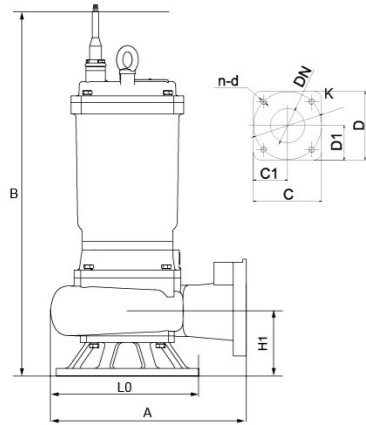


Components & Materials



	Power(kW)	0.75	1.5	2.2	3.7	5.5	7.5
1	Upper Bearing	6204-2RZ	6204-2RZ	6204-2RZ	6306-2RZ	6306-2RZ	6306-2RZ
2	Motor	Dry motor					
3	Motor Casing	AISI 2Cr13					
4	Motor Shaft	HT200					
5	Lower Bearing	6305-2RZ	6305-2RZ	6305-2RZ	6307-2RZ	6307-2RZ	6307-2RZ
6	Mechanical Seal	208-20/40 B:A/W:S (PC)	208-20/40 B:A/W:S (PC)	208-20/40 B:A/W:S (PC)	208-30/51 W:S/W:S(PTC)	208-30/51 W:S/W:S(PTC)	208-30/51 W:S/W:S(PTC)
A:Hot-pressing graphite, K:Impregnated graphite, W:Tungsten carbide (YG6), B:Alumina ceramic,S:RBSC, F:Fluororubber, P:NBR, E:EPR, T:Manganese steel with the surface chromium plated, C:Stainless steel(06Cr19Ni10), H:Brass							
7	Pump Body	HT200					
8	Impeller	HT200					

Dimensions & Weight

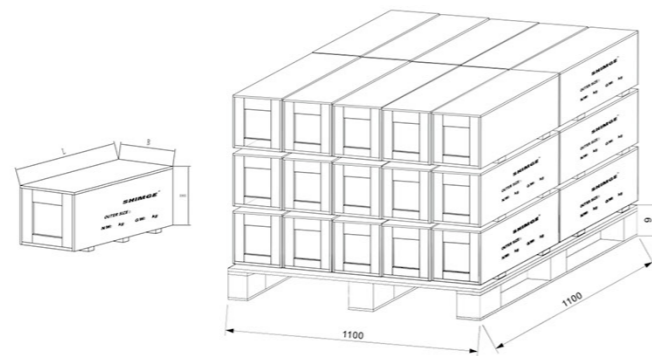


Model	Dim.(mm)											N.W. (kg)
	B	H1	A	L0	DN	K	C	C1	D	D1	n-d	
WQK9.6-10-0.75(380V/50Hz)	460	96	250	220	50	99	100	50	100	50	4-M10	31
WQK15-12-1.5(380V/50Hz)	520	99	270	200	50	99	100	50	100	50	4-M10	36
WQK18-15-2.2(380V/50Hz)	525	101	292	237	80	156	140	70	150	70	4-M12	40
WQK30-18-3.7(380V/50Hz)	560	100	326	270	80	156	140	70	150	70	4-M12	65
WQK36-22-5.5(380V/50Hz)	600	103	346	290	100	156	140	70	150	70	4-M12	78
WQK48-25-7.5(380V/50Hz)	600	103	346	290	100	156	140	70	150	70	4-M12	84
WQK15-12-1.5(415V/50Hz)	520	99	270	200	50	99	100	50	100	50	4-M10	36
WQK18-15-2.2(415V/50Hz)	525	101	292	237	80	156	140	70	150	70	4-M12	40

Performance Details & Dimensions & Weight

Model	Power		Rate Current (A)	Solids Passage (mm)	Max.Flow (m ³ /h)	Max.Head (m)	Head Range (m)	Cable line (m)	Dim.mm (L×W×H)	G.W. (kg)	20' Loading Qty. (pcs)
	kW	HP									
WQK9.6-10-0.75(380V/50Hz)	0.75	1	2	20	24	14	8~12	4*1-6	525×250×305	34	693
WQK15-12-1.5(380V/50Hz)	1.5	2	3.6	20	31	18	9~15	4*1-6	600×255×330	40	567
WQK18-15-2.2(380V/50Hz)	2.2	3	5.1	20	65	21	12~18	4*1-6	600×275×365	45	486
WQK30-18-3.7(380V/50Hz)	3.7	5	8.2	30	78	24	14~22	4*1.5-6	370×325×680	71	324
WQK36-22-5.5(380V/50Hz)	5.5	7.5	11.7	30	90	29	17~27	4*1.5 ☆ -6	400×340×770	85	255
WQK48-25-7.5(380V/50Hz)	7.5	10	15.7	30	97	44	20~30	4*2.5-6	400×340×770	91	255
WQK15-12-1.5(415V/50Hz)	1.5	2	3.3	20	31	18	9~15	4*1-6	600×255×330	40	567
WQK18-15-2.2(415V/50Hz)	2.2	3	4.7	20	65	21	12~18	4*1-6	600×275×365	45	486

Centrifugal pumps are not recommended to be used less than the lift range.



WQ(D)-L1 Submersible Pump For Dirty Water



WQ(D)-L1

Performance range

- ⊙ Max. Flow: 149m³/h
- ⊙ Max. Head: 44m

Application limits

- ⊙ Maximum liquid temperature +40°C
- ⊙ pH level from 4-10
- ⊙ Maximum liquid density 1.2×10³kg/m³
- ⊙ Power frequency is 50Hz. Nominal voltage is 220VAC for single phase and 380VAC for three phase with the range from -10% to 10%.
- ⊙ Immersion depth from 0.5m-5m

Certificate

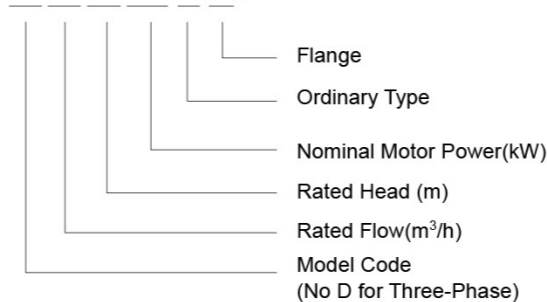


Application Fields

WQ(D)-L1 series pumps are widely applied in industry, agriculture, mining, construction, municipal, environmental protection, etc. They are suitable for draining water containing particles such as short fibers, paper scraps, etc. and soft solid, such as muddy water, dirty water, domestic wastewater, sewage, manure, etc. They are ideal equipment for agricultural irrigation and drainage, poolsilt cleaning and site construction, but do not apply to the location with explosion-proof requirements.

Model Instruction

WQD 10-10-0.75 L1 (FL)



Features

- ⊙ The whole cast iron design, wear-resistant, durable and nice appearance.
- ⊙ Double channel impeller, good flow capacity, excellent hydraulic performance.
- ⊙ Stainless steel shaft extension, carbide double-sides mechanical sealing.

Optional Available on Request

(*Standard configuration on Page 73)