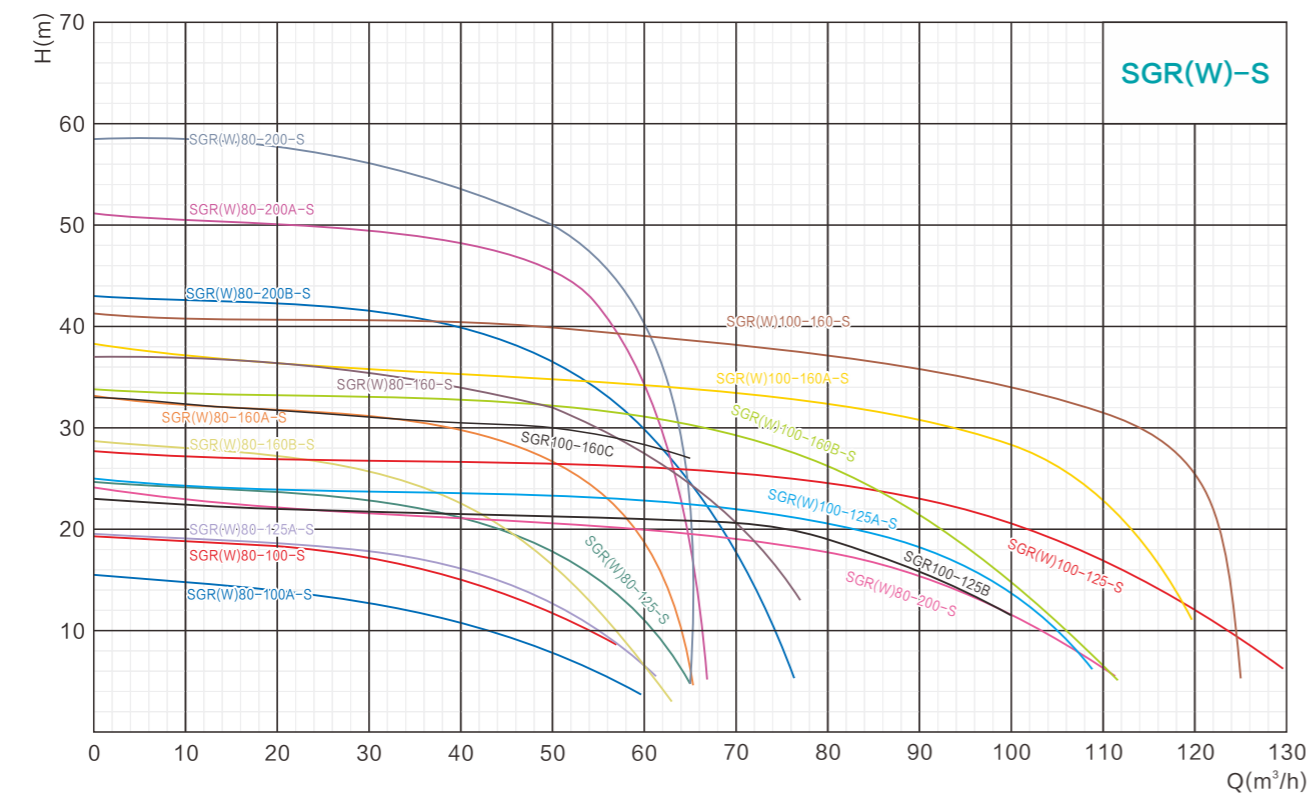
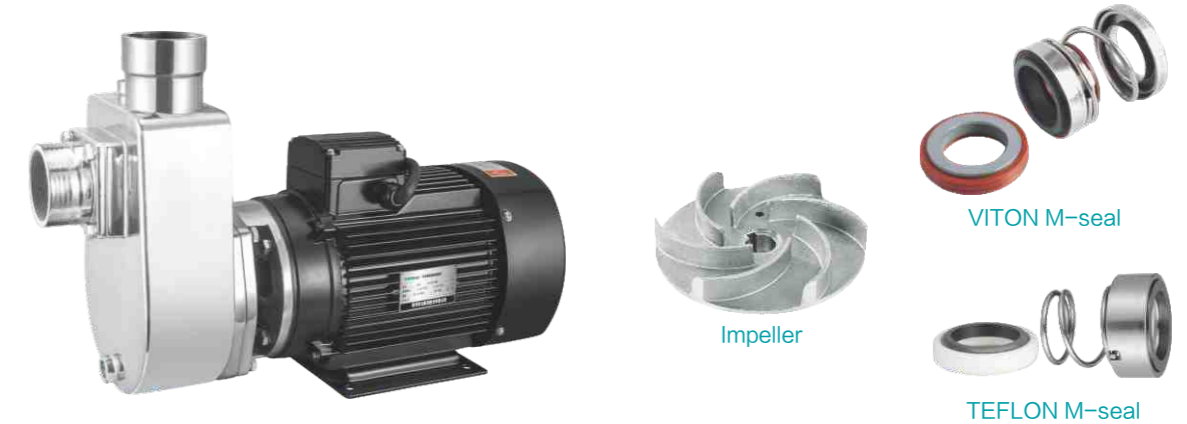


WB(S)
STAINLESS STEEL CENTRIFUGAL PUMP



WBZ(S)
STAINLESS STEEL SELF-PRIMING PUMP

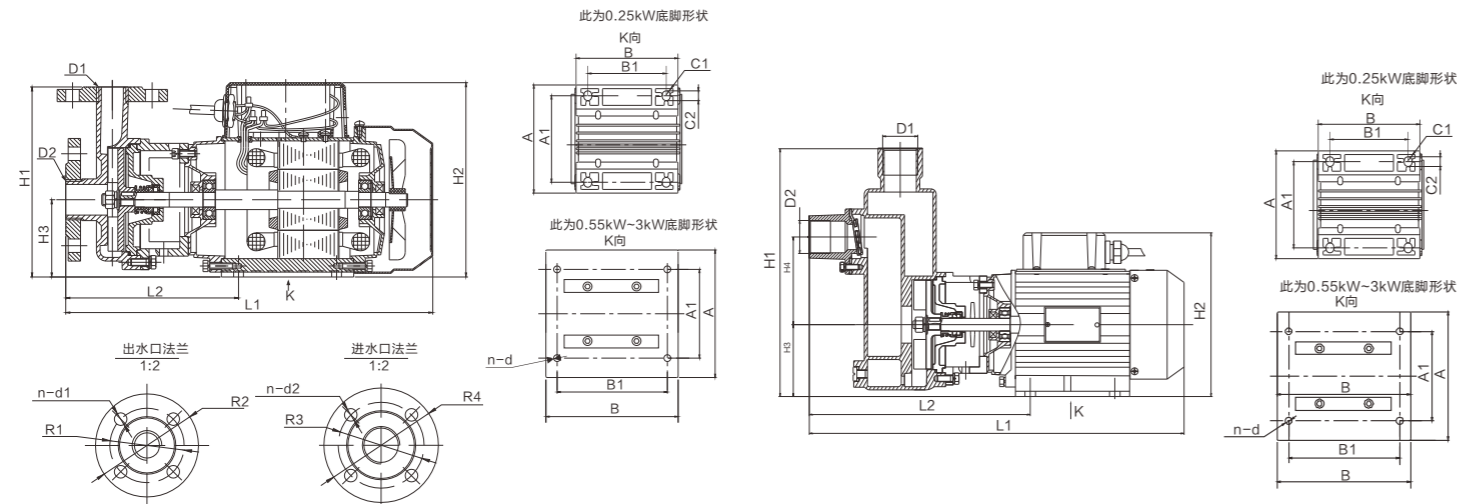
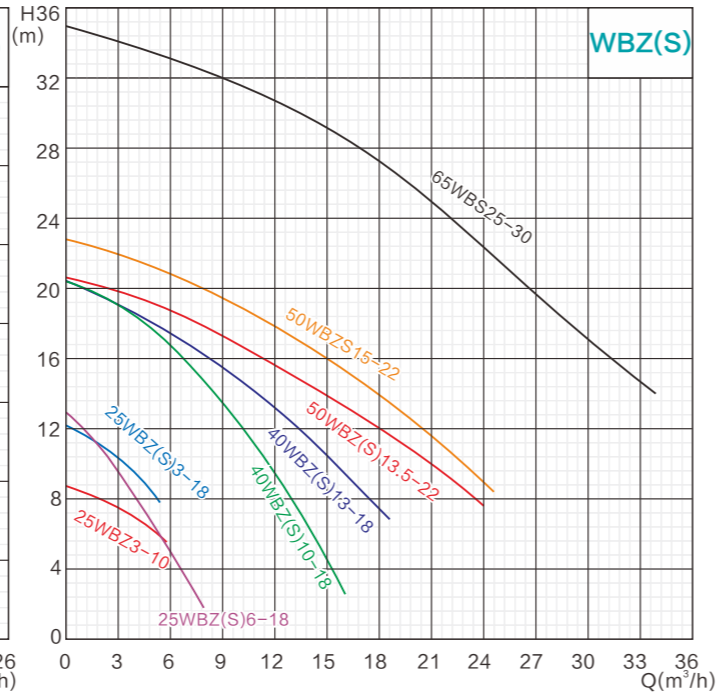
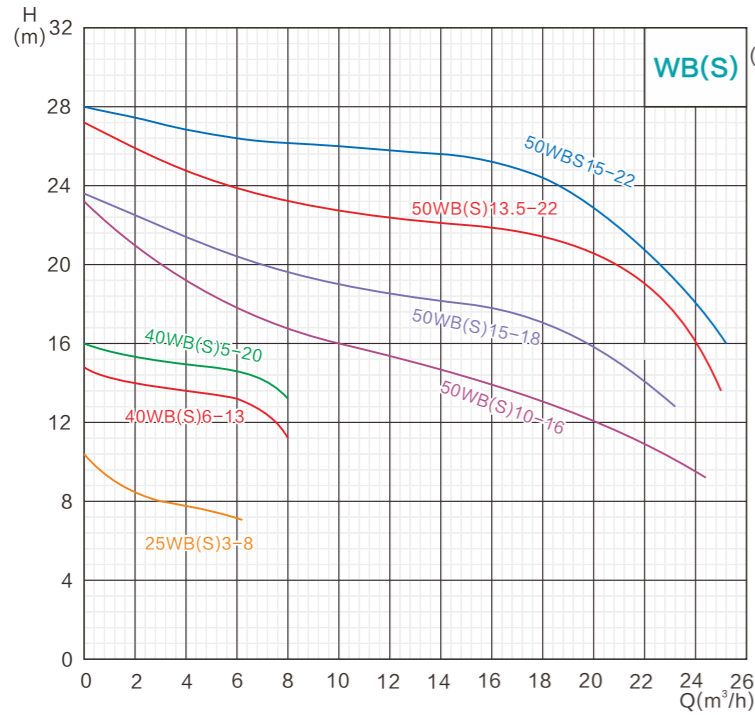


Product Introduction:

- 1、 Impeller: semi-open .
- 2、 Connection type of pump and motor: direct connection or with bearing bracket.
The wetted parts are all made of stainless steel , sus316 welded rotor shaft.
- 3、 For customer demand,teflon mechanical seal,explosion proof motor can be choosed.

Aplication:

The pump can pass liquid with particles or fibers in temperature $\leq 103^{\circ}\text{C}$. It is widely used for food, beverage, pharmacy, sewage, chemical liquid, electroplating, bleaching, etc.



Technical Parameters:

Model	Flow (m³/h)	Head (m)	Voltage (V)	Power (kw)	Speed (r/min)	Caliber (in)	H1	H2	H3	L1	L2	D1	D2	A	A1	B	B1	C1	C2	R1	R2	R3	R4	n-d	n-d1	n-d2	G.W. (kg)	Size (cm)
25WBS3-8	3	8	220	0.25	2850	1"×3/4"	155	184	63	293	141	G _{3/4}	G ₁	122	100	104	80	R4	10	φ65	φ90	φ75	φ100	/	4-φ11	4-φ11	7.5	33×16×21
25WBS3-8	3	8	380	0.25	2850	1"×3/4"	155	162	63	293	141	G _{3/4}	G ₁	122	100	104	80	R4	10	φ65	φ90	φ75	φ100	/	4-φ11	4-φ11	12	37×18×24
40WBS6-13	6	13	220	0.55	2850	1.5"×1"	183	204	72	339.5	150	G ₁	G _{1 1/2}	130	90.5	135	112.5	/	/	φ75	φ100	φ100	φ130	4-φ7	4-φ11	4-φ14	12	37×18×24
40WBS6-13	6	13	380	0.55	2850	1.5"×1"	183	175	72	339.5	150	G ₁	G _{1 1/2}	130	90.5	135	112.5	/	/	φ75	φ100	φ100	φ130	4-φ7	4-φ11	4-φ14	23	46×22×29
40WBS5-20	5	20	220	0.75	2850	1.5"×1"	183	204	72	339.5	150	G ₁	G _{1 1/2}	130	90.5	135	112.5	/	/	φ75	φ100	φ100	φ130	4-φ7	4-φ11	4-φ14	24	46×22×29
40WBS5-20	5	20	380	0.75	2850	1.5"×1"	183	175	72	339.5	150	G ₁	G _{1 1/2}	130	90.5	135	112.5	/	/	φ75	φ100	φ100	φ130	4-φ7	4-φ11	4-φ14	25	46×22×29
50WBS10-16	10	16	220	1.1	2850	2"×1.5"	216	253	90	423	201	G _{1 1/2}	G ₂	173	140	150	125	/	/	φ100	φ130	φ110	φ140	4-φ10	4-φ14	4-φ14	7	33×16×21
50WBS10-16	10	16	380	1.1	2850	2"×1.5"	216	214	90	423	201	G _{1 1/2}	G ₂	173	140	150	125	/	/	φ100	φ130	φ110	φ140	4-φ10	4-φ14	4-φ14	12	37×18×24
50WBS15-18	15	18	220	1.5	2850	2"×1.5"	216	253	90	423	201	G _{1 1/2}	G ₂	173	140	150	125	/	/	φ100	φ130	φ110	φ140	4-φ10	4-φ14	4-φ14	13.5	37×18×24
50WBS15-18	15	18	380	1.5	2850	2"×1.5"	216	214	90	423	201	G _{1 1/2}	G ₂	173	140	150	125	/	/	φ100	φ130	φ110	φ140	4-φ10	4-φ14	4-φ14	22	46×22×29
50WBS13.5-22	13.5	22	220	2.2	2850	2"×1.5"	232	253	90	425	201	G _{1 1/2}	G ₂	173	140	150	125	/	/	φ100	φ130	φ110	φ140	4-φ10	4-φ14	4-φ14	25	46×22×29
50WBS13.5-22	13.5	22	380	2.2	2850	2"×1.5"	232	214	90	425	201	G _{1 1/2}	G ₂	173	140	150	125	/	/	φ100	φ130	φ110	φ140	4-φ10	4-φ14	4-φ14	29	46×22×29
50WBS15-22	15	22	380	3	2850	2"×1.5"	232	214	90	425	201	G _{1 1/2}	G ₂	173	140	150	125	/	/	φ100	φ130	φ110	φ140	4-φ10	4-φ14	4-φ14	32	46×22×29
65WBS25-30	25	30	380	4	2850	2.5"×2"	356	239	176	568	258	G ₂	G _{2 1/2}	205	160	190	140	/	/	φ110	φ140	φ130	φ160	4-φ12	4-φ14	4-φ14	47	54×27×40

Model	Flow (m³/h)	Head (m)	Voltage (V)	Power (kw)	Speed (r/min)	Caliber (in)	H1	H2	H3	H4	L1	L2	D1	D2	A	A1	B	B1	C1	C2	n-d	G.W. (kg)	Size (cm)
25WBZ3-10	2	8	220	0.25	2850	G1	229	184	63	70	360	200	G1	G1	122	100	104	80	R4	10	/	9.5	38×17×27
25WBZ3-10	2	8	380	0.25	2850	G1	229	162	63	70	360	200	G1	G1	122	100	104	80	R4	10	/	9.5	38×17×27
25WBZ3-18	2	11	220	0.55	2850	G1	264	204	72	85	400	210	G1	G1	130	90.5	135	112.5	/	/	4-φ7	15	40×18×29
25WBZ3-18	2	11	380	0.55	2850	G1	264	175	72	85	400	210	G1	G1	130	90.5	135	112.5	/	/	4-φ7	14.5	40×18×29
25WBZ6-18	3	10	220	0.75	2850	G1	264	204	72	85	400	210	G1	G1	130	90.5	135	112.5	/	/	4-φ7	16	40×18×29
25WBZ6-18	3	10	380	0.75	2850	G1	264	175	72	85	400	210	G1	G1	130	90.5	135	112.5	/	/	4-φ7	14.5	40×18×29
40WZB10-18	7	16	220	1.1	2850	G1.5	308	253	90	93	470	253	G1.5	G1.5	173	140	150	125	/	/	4-φ10	26	50×22×34
40WZB10-18	7	16	380	1.1	2850	G1.5	308	215	90	93	470	253	G1.5	G1.5	173	140	150	125	/	/	4-φ10	26	50×22×34
40WZB13-18	10	15	220	1.5	2850	G1.5	308	253	90	93	470	253	G1.5	G1.5	173	140	150	125	/	/	4-φ10	26	50×22×34
40WZB13-18	10	15	380	1.5	2850	G1.5	308	215	90	93	470	253	G1.5	G1.5	173	140	150	125	/	/	4-φ10	26	50×22×34
50WZB13.5-22	10	16	220	2.2	2850	G2	308	253	90	100	480	257	G2	G2	173	140	150	125	/	/	4-φ10	30	50×22×34
50WZB13.5-22	10	16	380	2.2	2850	G2	308	214	90	100	480	257	G2	G2	173	140	150	125	/	/	4-φ10	29	50×22×34
50WZB15-22	10	18	380	3	2850	G2	308	214	90	100	480	257	G2	G2	173	140	150	125	/	/	4-φ10	33	50×22×34

Technical Parameters(Explosion Proof Type):

Model	Flow (m³/h)	Head (m)	Power (kw)	Voltage (V)	Caliber (in)	G.W. (kg)	Size (cm)
40WBS5-20	5	20	0.75	380	1.5"×1"	25	46×22×29
50WBS15-18	15	18	1.5	380	2"×1.5"	22	46×22×29
50WBS13.5-22	13.5	22	2.2	380	2"×1.5"	29	46×22×29
50WBS15-22	15	22	3	380	2"×1.5"	32	46×22×29
65WBS25-30	25	30	4	380	2.5"×2"	47	54×27×40

Model	MAX. S (m)	Flow (m³/h)	Head (m)	Power (kw)	Voltage (V)	Caliber (in)	G.W. (kg)	Size (cm)
25WBZS6-18	8	3	10	0.75	380	1"	14.5	40×18×29
40WBZS13-18	8	10	15	1.5	380	1.5"	26	50×22×34
50WBZS13.5-22	8	10	16	2.2	380	2"	29	50×22×34
50WBZS15-22	8	10	18	3	380	2"	33	50×22×34



(EXPLOSION PROOF TYPE)