

**SGR(W)-S  
PIPELINE BOOSTER PUMP**

**Product Introduction:**

SGR-S pipeline booster pumps use efficient radiating cast aluminium motor, NSK and C&U bearings, SUS316 welded rotor shaft, VITON®O rings, VITON mechanical seal. The wetted parts of pump are all made of casting SUS304.

**Application:**

Cyclic delivery energy supply, metallurgical industry, chemical industry, textile industry, papermaking industry, electroplating industry, restaurants, bathroom, hotels, etc.



(SGRW)



(EXPLOSION PROOF TYPE)

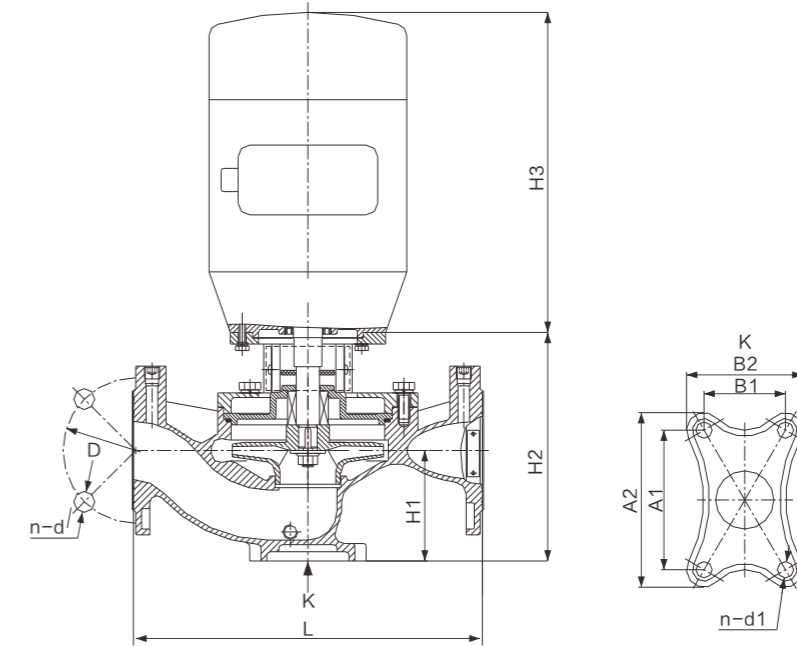


(SGR)



(EXPLOSION PROOF TYPE)

**Mounting dimensions:**

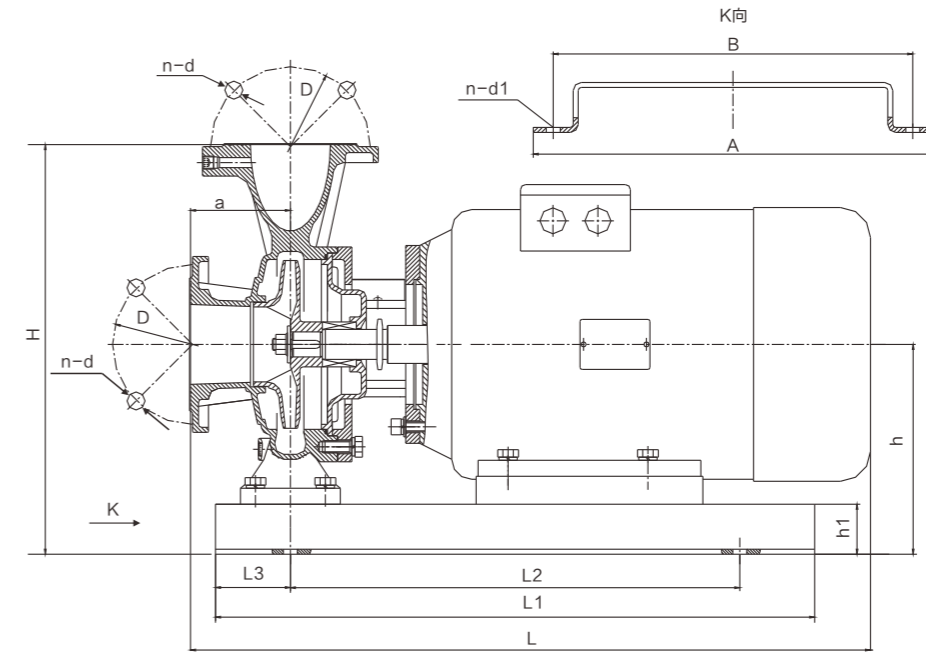


Model	Flow (m³/h)	Head (m)	Power (kW)	Speed (r/min)	NPSH (m)	L	H1	H2	H3	D	n-d	A1	A2	B1	B2	n-d1	G.W. (kg)	Size (cm)
SGR40-125-S	4.4 6.3 8.3	21.5 20 18.5	1.1	2900	2.3	300	85	101	228	φ110	4-φ18	120	150	70	100	4-φ18	27	54×34×29
SGR40-125A-S	3.9 5.6 7.4	18 16 14.5	0.75	2900	2.3	300	85	101	228	φ110	4-φ18	120	150	70	100	4-φ18	27	54×34×29
SGR40-160-S	3.75 6.3 7.5	34 32 30	2.2	2900	2.3	320	85	101	25	φ110	4-φ18	120	150	70	100	4-φ18	34	58×35×31
SGR40-160A-S	4.1 5.9 7.8	29 28 26.5	1.5	2900	2.3	320	85	101	275	φ110	4-φ18	120	150	70	100	4-φ18	31	58×35×31
SGR40-160B-S	3.8 5.5 7.5	25.5 24 22.5	1.1	2900	2.3	320	85	101	228	φ110	4-φ18	120	150	70	100	4-φ18	29	53×35×31
SGR40-200-S	4.4 6.3 8.3	51 50 48	4	2900	2.3	360	95	120	350	φ110	4-φ18	130	170	80	100	4-φ18	54	68×40×34
SGR40-200A-S	4.1 5.9 7.8	45 44 42	3	2900	2.3	360	95	120	305	φ110	4-φ18	130	170	80	100	4-φ18	46	64×40×34
SGR40-200B-S	3.7 5.3 7.0	38 36 34.5	2.2	2900	2.3	360	95	106	275	φ110	4-φ18	130	170	80	100	4-φ18	37	61×40×34
SGR50-100-S	8.8 12.5 16.3	13.6 12.5 11.3	1.1	2900	2.3	290	90	101	228	φ125	4-φ18	120	150	70	100	4-φ18	28	54×34×29
SGR50-100A-S	8 11 14.5	11 10 9	0.75	2900	2.3	290	90	101	228	φ125	4-φ18	120	150	70	100	4-φ18	26	55×33×23
SGR50-125-S	8.8 12.5 16.3	20.3 20 18.2	1.5	2900	2.3	300	95	101	275	φ125	4-φ18	120	150	70	100	4-φ18	32	55×33×23
SGR50-125A-S	8 11 14.5	17 16 14	1.1	2900	2.3	300	95	101	228	φ125	4-φ18	120	150	70	100	4-φ18	30	55×33×23
SGR50-160-S	8.8 12.5 16.3	34.7 32 30	3	2900	2.0	340	100	120	305	φ125	4-φ18	130	170	80	120	4-φ18	44	61×38×30
SGR50-160A-S	8.2 11.7 15.2	29 28 26	2.2	2900	2.3	340	100	106	275	φ125	4-φ18	130	170	80	120	4-φ18	37	58×38×30
SGR50-160B-S	7.3 10.4 13.5	23 22 20.85	1.5	2900	2.3	340	100	106	275	φ125	4-φ18	130	170	80	120	4-φ18	35	60×38×31
SGR50-200-S	8.8 12.5 16.3	52 50 48	5.5	2900	2.3	340	100	129	380	φ125	4-φ18	130	170	80	120	4-φ18	73	73×42×34

Note: 1.5kW can produce single-phase 220V voltage products

Model	Flow (m <sup>3</sup> /h)	Head (m)	Power (kW)	Speed (r/min)	NPSH (m)	L	H1	H2	H3	D	n-d	A1	A2	B1	B2	n-d1	G.W. (kg)	Size (cm)
SGR50-200A-S	7 11.7 14	45.5 44 42.5	4	2900	2.3	380	100	125	350	Φ125	4-Φ18	130	170	80	120	4-Φ14	57	66×42×34
SGR50-200B-S	6.5 10.5 13	36.5 35 33.5	3	2900	2.3	380	100	125	305	Φ125	4-Φ18	130	170	80	120	4-Φ14	48	62×42×34
SGR50-250-S	8.8 12.5 16.3	82 80 77.5	11	2900	2.3	440	105	144	505	Φ125	4-Φ18	160	200	100	140	4-Φ18	165	86×49×50
SGR50-250A-S	8.2 11.6 15.2	71.5 70 68	7.5	2900	2.3	440	105	132	380	Φ125	4-Φ18	160	200	100	140	4-Φ14	92	74×49×36
SGR50-250B-S	7.6 10.8 14	61.4 60 58	7.5	2900	2.3	440	105	132	380	Φ125	4-Φ18	160	200	100	140	4-Φ14	91	74×49×36
SGR50-250C-S	7.1 10 13.1	53.2 52 50.4	5.5	2900	2.3	440	105	132	380	Φ125	4-Φ18	160	200	100	140	4-Φ14	86	74×49×36
SGR65-125-S	17.5 25 32.5	21.5 20.5 18	3	2900	2.5	340	100	120	305	Φ145	4-Φ18	160	200	100	140	4-Φ14	43	61×38×27
SGR65-125A-S	15.6 22.3 29	17 16 14.4	2.2	2900	2.5	340	100	106	275	Φ145	4-Φ18	160	200	100	140	4-Φ14	37	61×38×27
SGR65-160-S	17.5 25 32.5	34.5 32 27.5	4	2900	2.5	380	100	125	350	Φ145	4-Φ18	160	200	100	140	4-Φ14	56	66×42×30
SGR65-160A-S	16.4 23.4 30.4	30 28 24	4	2900	2.5	380	100	125	350	Φ145	4-Φ18	160	200	100	140	4-Φ14	55	66×42×30
SGR65-160B-S	15 21.6 28	26 24 20.6	3	2900	2.5	380	100	125	305	Φ145	4-Φ18	160	200	100	140	4-Φ14	48	66×42×30
SGR65-200-S	17.5 25 32.5	52.7 50 45.5	7.5	2900	2.5	400	105	129	380	Φ145	4-Φ18	160	200	100	140	4-Φ14	81	74×44×34
SGR65-200A-S	16.4 23.5 30.5	46.4 44 40	7.5	2900	2.5	400	105	129	380	Φ145	4-Φ18	160	200	100	140	4-Φ14	79	74×44×34
SGR65-200B-S	15.2 21.8 28.3	40 38 34.5	5.5	2900	2.5	400	105	129	380	Φ145	4-Φ18	160	200	100	140	4-Φ14	75	74×44×34
SGR65-250-S	17.5 25 32.5	82 80 76.5	15	2900	2.5	480	120	144	490	Φ145	4-Φ18	180	220	120	160	4-Φ18	170	87×53×49
SGR65-250A-S	16.4 23.4 30.5	71.5 70 67	11	2900	2.5	480	120	144	505	Φ145	4-Φ18	180	220	120	160	4-Φ18	156	87×53×49
SGR65-250B-S	15 21.6 28	61 60 57.4	11	2900	2.5	480	120	144	505	Φ145	4-Φ18	180	220	120	160	4-Φ18	157	87×53×49
SGR80-100-S	35 50 65	13.8 12.5 11	3	2900	3.0	400	130	120	305	Φ160	4-Φ18	160	200	100	140	4-Φ18	45	66×44×27
SGR80-100A-S	31.3 44.7 58	10 8 8	2.2	2900	3.0	400	130	106	275	Φ160	4-Φ18	160	200	100	140	4-Φ18	36	59×44×22
SGR80-125-S	35 50 65	22 20 17.5	5.5	2900	3.0	400	120	129	380	Φ160	4-Φ18	160	200	100	140	4-Φ14	72	75×44×34
SGR80-125A-S	31.3 45 58	17.5 16 13.6	4	2900	3.0	400	120	125	350	Φ160	4-Φ18	160	200	100	140	4-Φ14	55	68×44×34
SGR80-160-S	35 50 65	35 32 28	7.5	2900	3.0	400	125	129	380	Φ160	4-Φ18	160	200	100	140	4-Φ14	83	75×44×34
SGR80-160A-S	32.7 46.7 61	30.6 28 24	7.5	2900	3.0	400	125	129	380	Φ160	4-Φ18	160	200	100	140	4-Φ14	82	75×44×34
SGR80-160B-S	30.3 43.5 56.3	26 24 21	4	2900	3.0	400	125	129	380	Φ160	4-Φ18	160	200	100	140	4-Φ14	75	75×44×34
SGR80-200-S	35 50 65	53.5 50 46	15	2900	3.0	430	130	144	490	Φ160	4-Φ18	160	200	100	140	4-Φ18	160	87×48×49
SGR80-200A-S	32.8 47 61	47 44 40	11	2900	3.0	430	130	144	505	Φ160	4-Φ18	160	200	100	140	4-Φ18	147	87×48×49
SGR80-200B-S	30.5 43.5 56.6	40.6 38 33.4	7.5	2900	3.0	430	130	132	380	Φ160	4-Φ18	160	200	100	140	4-Φ14	89	76×48×36
SGR100-125-S	60 100 120	24 20 16.5	11	2900	4.5	440	140	149	505	Φ180	4-Φ18	180	220	120	160	4-Φ18	146	90×49×49
SGR100-125A-S	54 93.5 108	19 16 13	7.5	2900	4.5	440	140	137	380	Φ180	4-Φ18	180	220	120	160	4-Φ14	95	78×49×36
SGR100-125B	70 90 100	18 15 11.5	5.5	2900	4.5	440	140	137	380	Φ180	4-Φ18	180	220	120	160	4-Φ14	98	78×49×36
SGR100-160-S	70 100 130	35 32 24	15	2900	4.5	500	150	146	490	Φ180	4-Φ18	180	220	120	160	4-Φ18	165	94×55×50
SGR100-160A-S	65.4 93.5 121.6	32 28 21	11	2900	4.5	500	150	146	505	Φ180	4-Φ18	180	220	120	160	4-Φ18	156	94×55×50
SGR100-160B-S	60.6 86.6 112.5	27 24 18	11	2900	4.5	500	150	146	505	Φ180	4-Φ18	180	220	120	160	4-Φ18	158	94×55×50
SGR100-160C	35 50 65	31 29 27	7.5	2900	4.5	500	150	134	380	Φ180	4-Φ18	180	220	120	160	4-Φ14	108	80×55×50

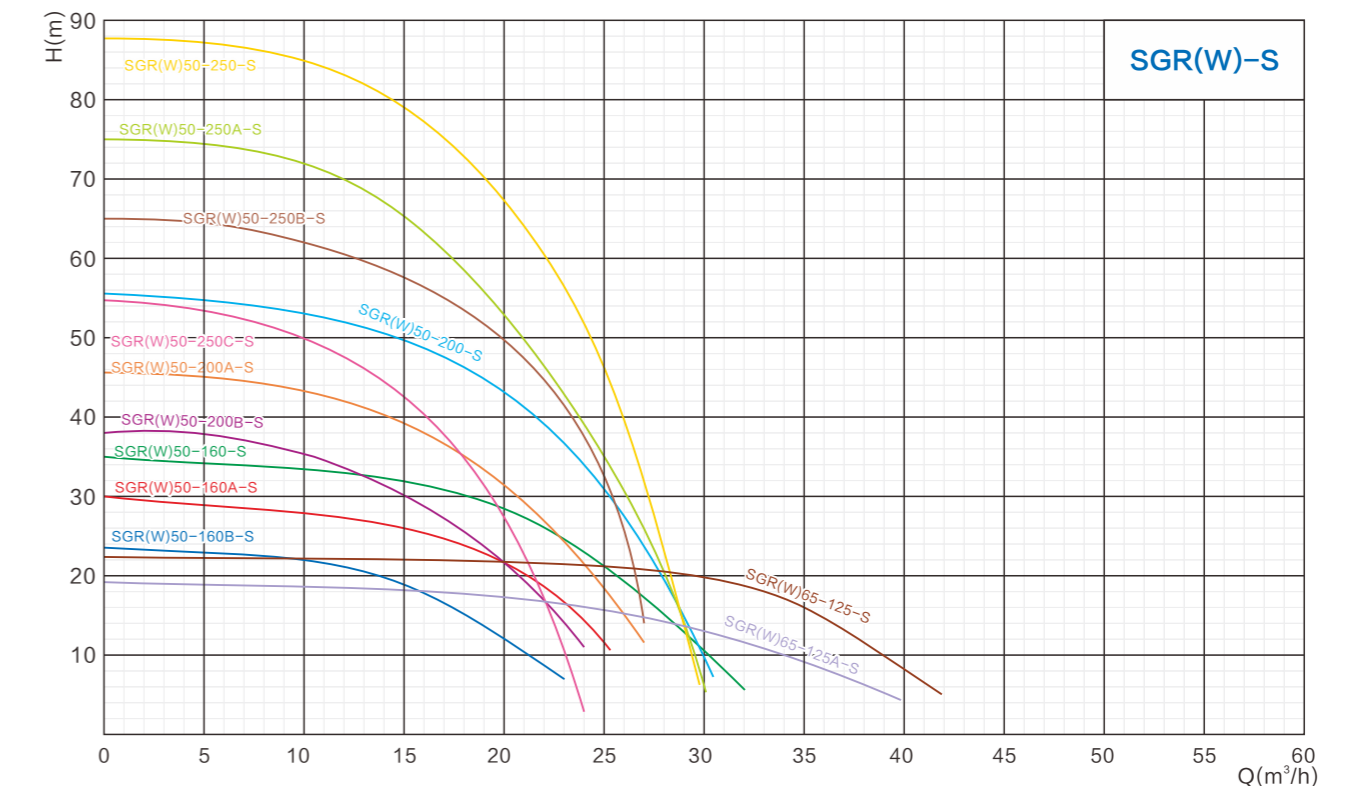
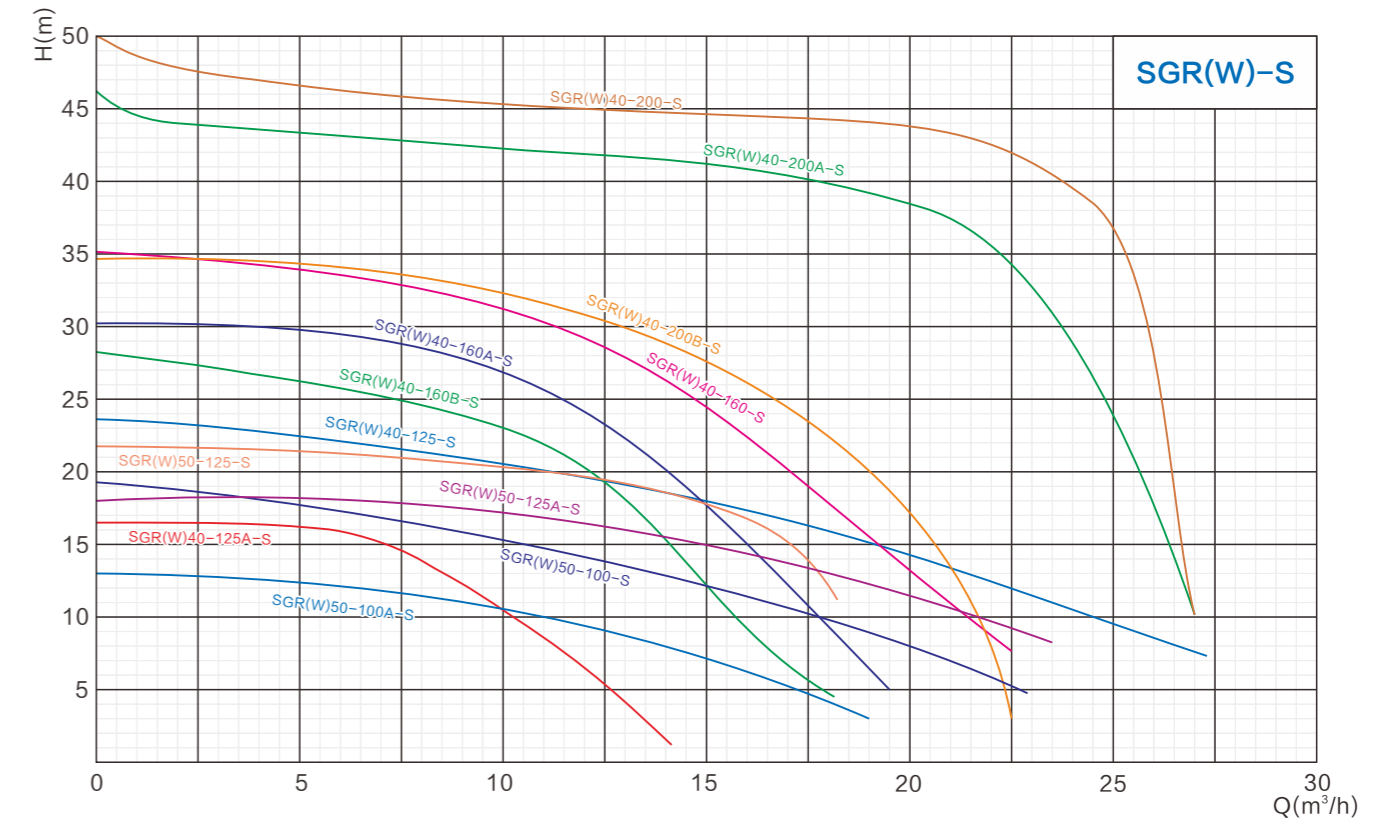
Mounting dimensions:

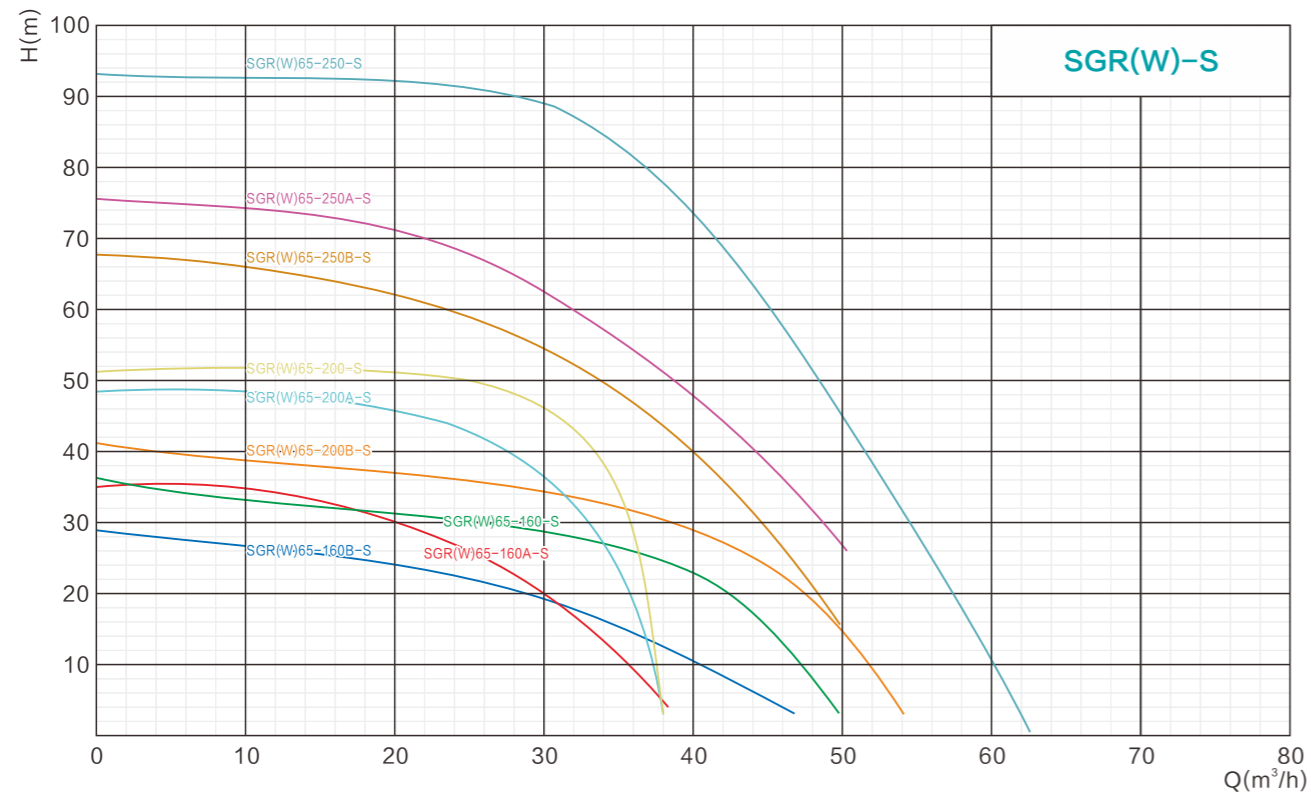


Model	Flow (m <sup>3</sup> /h)	Head (m)	Power (kW)	Speed (r/min)	NPSH (m)	L	L1	L2	L3	A	B	H	h	h1	D	a	n-d	n-d1	G.W. (kg)	Size (cm)
SGRW40-125-S	4.4 6.3 8.3	21.5 20 18.5	1.1	2900	2.3	416	400	260	70	310	276	312	172	40	Φ110	80	4-Φ18	4-Φ14	36	46×36×42
SGRW40-125A-S	3.9 5.6 7.4	18 16 14.5	0.75	2900	2.3	416	400	260	70	310	276	312	172	40	Φ110	80	4-Φ18	4-Φ14	33	46×36×42
SGRW40-160-S	3.75 6.3 7.5	34 32 30	2.2	2900	2.3	461	430	290	70	330	296	332	172	40	Φ110	80	4-Φ18	4-Φ14	43	52×38×42
SGRW40-160A-S	4.1 5.9 7.8	29 28 26.5	1.5	2900	2.3	461	430	290	70	330	296	332	172	40	Φ110	80	4-Φ18	4-Φ14	41	52×38×42
SGRW40-160B-S	3.8 5.5 7.5	25.5 24 22.5	1.1	2900	2.3	416	400	260	70	310	276	332	172	40	Φ110	80	4-Φ18	4-Φ14	36	46×36×42
SGRW40-200-S	4.4 6.3 8.3	51 50 48	4	2900	2.3	512	500	360	70	350	316	390	210	50	Φ110	80	4-Φ18	4-Φ14	61	60×40×48
SGRW40-200A-S	4.1 5.9 7.8	45 44 42	3	2900	2.3	512	500	360	70	350	316	390	210	50	Φ110	80	4-Φ18	4-Φ14	57	60×40×48
SGRW40-200B-S	3.7 5.3 7.0	38 36 34.5	2.2	2900	2.3	466	430	290	70	330	296	380	200	40	Φ110	80	4-Φ18	4-Φ14	47	60×38×48
SGRW50-100-S	8.8 12.5 16.3	13.6 12.5 11.3	1.1	2900	2.3	416	400	260	70	310	276	317	172	40	Φ125	80	4-Φ18	4-Φ14	36	46×36×42
SGRW50-100A-S	8 11 14.5	10 9 8	0.75	2900	2.3	416	400	260	70	310	276	317	172	40	Φ125	80	4-Φ18	4-Φ14	34	46×36×42
SGRW50-125-S	8.8 12.5 16.3	20.3 20 18.2	1.5	2900	2.3	461	430	290	70	330	296	322	172	40	Φ125	80	4-Φ18	4-Φ14	39	52×38×42
SGRW50-125A-S	8 11 14.5	17 16 14	1.1	2900	2.3	416	400	260	70	310	276	322	172	40	Φ125	80	4-Φ18	4-Φ14	36	46×36×42
SGRW50-160-S	8.8 12.5 16.3	34.7 32 30	3	2900	2.0	512	500	360	70	350	316	370	210	50	Φ125	80	4-Φ18	4-Φ14	57	60×40×46
SGRW50-160A-S	8.2 11.7 15.2	29 28 26	2.2	2900	2.3	466	430	290	70	330	296	360	200	40	Φ125	80	4-Φ18	4-Φ14	45	52×38×48
SGRW50-160B-S	7.3 10.4 13.5	23 22 20.85	1.5	2900	2.3	466	430	290	70	330	296	360	200	40	Φ125	80	4-Φ18	4-Φ14	42	52×38×48
SGRW50-200-S	8.8 12.5 16.3	52 50 48	5.5	2900	2.3	616	600	450	75	400	360	390	210	50	Φ125	80	4-Φ18	4-Φ14	88	72×45×48

Note: 1.5kW can produce single-phase 220V voltage products

Model	Flow (m³/h)	Head (m)	Power (kW)	Speed (r/min)	NPSH (m)	L	L1	L2	L3	A	B	H	h	h1	D	a	n-d	n-d1	G.W. (kg)	Size (cm)
SGRW50-200A-S	7	45.5	4	2900	2.3	517	500	360	70	350	316	390	210	50	Φ125	80	4-Φ18	4-Φ14	64	60×40×48
SGRW50-200B-S	11.7	44	3	2900	2.3	517	500	360	70	350	316	390	210	50	Φ125	80	4-Φ18	4-Φ14	57	60×40×48
SGRW50-250-S	14	42.5	11	2900	2.3	760	700	540	80	460	420	460	240	60	Φ125	100	4-Φ18	4-Φ14	159	87×51×55
SGRW50-250A-S	6.5	36.5	7.5	2900	2.3	640	600	450	75	400	360	450	230	50	Φ125	100	4-Φ18	4-Φ14	111	74×45×55
SGRW50-250B-S	10.5	35	7.5	2900	2.3	640	600	450	75	400	360	450	230	50	Φ125	100	4-Φ18	4-Φ14	110	74×45×55
SGRW50-250C-S	13	33.5	5.5	2900	2.3	640	600	450	75	400	360	450	230	50	Φ125	100	4-Φ18	4-Φ14	102	74×45×55
SGRW65-125-S	8.8	82	3	2900	2.5	512	500	360	70	350	316	370	210	50	Φ145	80	4-Φ18	4-Φ14	55	60×40×46
SGRW65-125A-S	12.5	80	2.2	2900	2.5	466	430	290	70	330	296	360	200	40	Φ145	80	4-Φ18	4-Φ14	44	52×38×48
SGRW65-160-S	16.3	77.5	4	2900	2.5	517	500	360	70	350	316	390	210	50	Φ145	80	4-Φ18	4-Φ14	63	60×40×48
SGRW65-160A-S	8.2	70	4	2900	2.5	517	500	360	70	350	316	390	210	50	Φ145	80	4-Φ18	4-Φ14	63	60×40×48
SGRW65-160B-S	11.6	68	3	2900	2.5	517	500	360	70	350	316	390	210	50	Φ145	80	4-Φ18	4-Φ14	59	60×40×48
SGRW65-200-S	15.2	61.4	7.5	2900	2.5	636	600	450	75	400	360	410	210	50	Φ145	100	4-Φ18	4-Φ14	97	74×45×50
SGRW65-200A-S	7.6	60	7.5	2900	2.5	636	600	450	75	400	360	410	210	50	Φ145	100	4-Φ18	4-Φ14	96	74×45×50
SGRW65-200B-S	10.8	58	5.5	2900	2.5	636	600	450	75	400	360	410	210	50	Φ145	100	4-Φ18	4-Φ14	90	74×45×50
SGRW65-250-S	7.1	53.2	15	2900	2.5	760	700	540	80	460	420	480	240	60	Φ145	100	4-Φ18	4-Φ14	160	88×52×59
SGRW65-250A-S	13.1	50.4	11	2900	2.5	760	700	540	80	460	420	480	240	60	Φ145	100	4-Φ18	4-Φ14	149	88×52×59
SGRW65-250B-S	17.5	48	11	2900	2.5	760	700	540	80	460	420	480	240	60	Φ145	100	4-Φ18	4-Φ14	150	88×52×59
SGRW80-100-S	10	52	3	2900	3.0	532	500	360	70	350	316	410	210	50	Φ160	100	4-Φ18	4-Φ14	60	62×40×50
SGRW80-100A-S	13.1	50.4	2.2	2900	3.0	486	430	290	70	330	296	400	200	40	Φ160	100	4-Φ18	4-Φ14	46	54×38×50
SGRW80-125-S	17.5	46.4	5.5	2900	3.0	636	600	450	75	400	360	410	210	50	Φ160	100	4-Φ18	4-Φ14	86	74×45×50
SGRW80-125A-S	25	44	4	2900	3.0	537	500	360	70	350	316	410	210	50	Φ160	100	4-Φ18	4-Φ14	63	62×40×50
SGRW80-160-S	32.5	42	7.5	2900	3.0	636	600	450	75	400	360	410	210	50	Φ160	100	4-Φ18	4-Φ14	95	74×45×50
SGRW80-160A-S	15.6	40	7.5	2900	3.0	636	600	450	75	400	360	410	210	50	Φ160	100	4-Φ18	4-Φ14	93	74×45×50
SGRW80-160B-S	22.3	38	4	2900	3.0	636	600	450	75	400	360	410	210	50	Φ160	100	4-Φ18	4-Φ14	87	74×45×50
SGRW80-200-S	29	34.5	15	2900	3.0	760	700	540	80	460	420	455	240	60	Φ160	100	4-Φ18	4-Φ14	167	87×51×54
SGRW80-200A-S	17.5	32	11	2900	3.0	760	700	540	80	460	420	455	240	60	Φ160	100	4-Φ18	4-Φ14	155	87×51×54
SGRW80-200B-S	25	30	7.5	2900	3.0	640	600	450	75	400	360	445	230	50	Φ160	100	4-Φ18	4-Φ14	105	74×45×54
SGRW100-125-S	16.4	27.5	11	2900	4.5	764	700	540	80	460	420	460	240	60	Φ180	100	4-Φ18	4-Φ14	151	87×51×55
SGRW100-125A-S	23.4	26	7.5	2900	4.5	644	600	450	75	400	360	450	230	50	Φ180	100	4-Φ18	4-Φ14	101	74×44×54
SGRW100-125B	30.4	24	5.5	2900	4.5	644	600	450	75	400	360	450	230	50	Φ180	100	4-Φ18	4-Φ14	100	74×44×54
SGRW100-160-S	15	20.6	15	2900	4.5	760	700	540	80	460	420	490	240	60	Φ180	100	4-Φ18	4-Φ14	165	87×51×58
SGRW100-160A-S	17.5	20	11	2900	4.5	760	700	540	80	460	420	490	240	60	Φ180	100	4-Φ18	4-Φ14	153	87×51×58
SGRW100-160B-S	25	18	11	2900	4.5	760	700	540	80	460	420	490	240	60	Φ180	100	4-Φ18	4-Φ14	152	87×51×58
SGRW100-160C	32.5	17	7.5	2900	4.5	758	600	450	75	400	360	450	230	50	Φ180	100	4-Φ18	4-Φ14	110	74×44×54

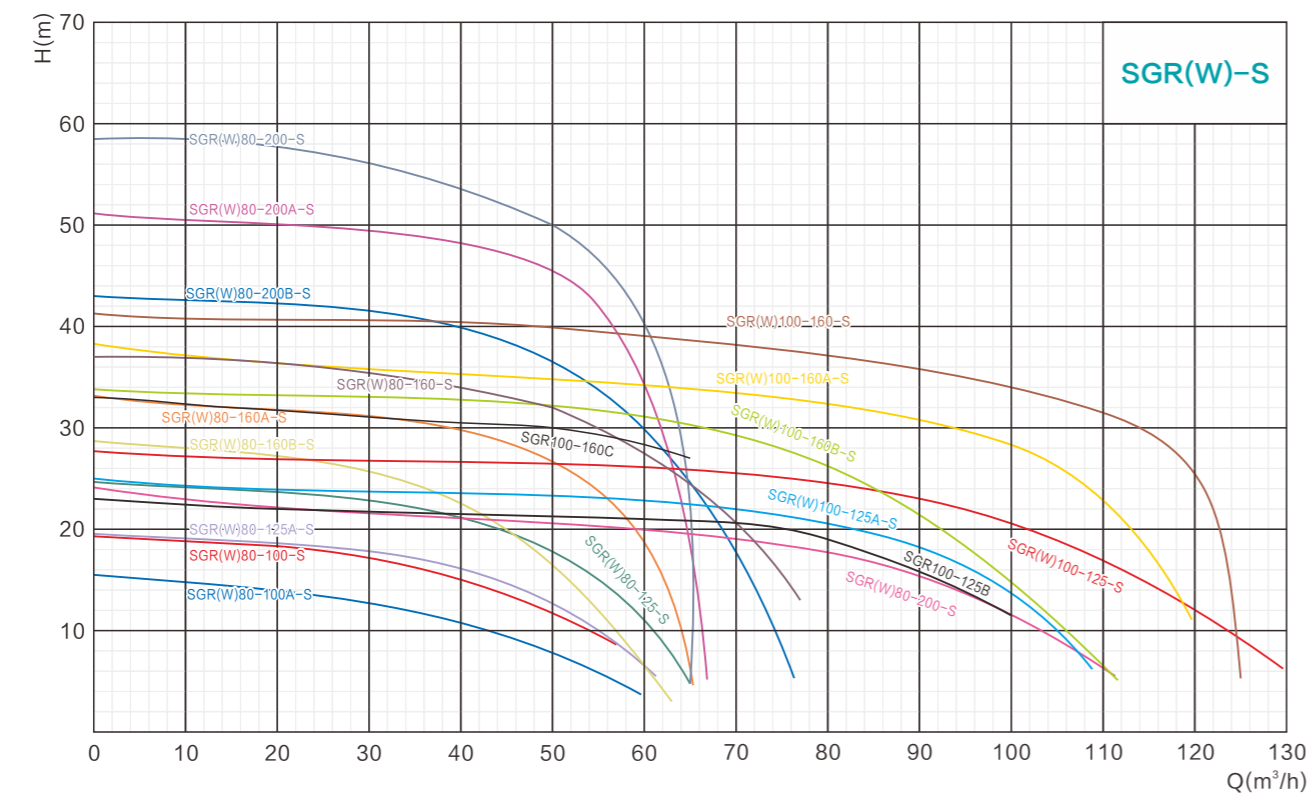
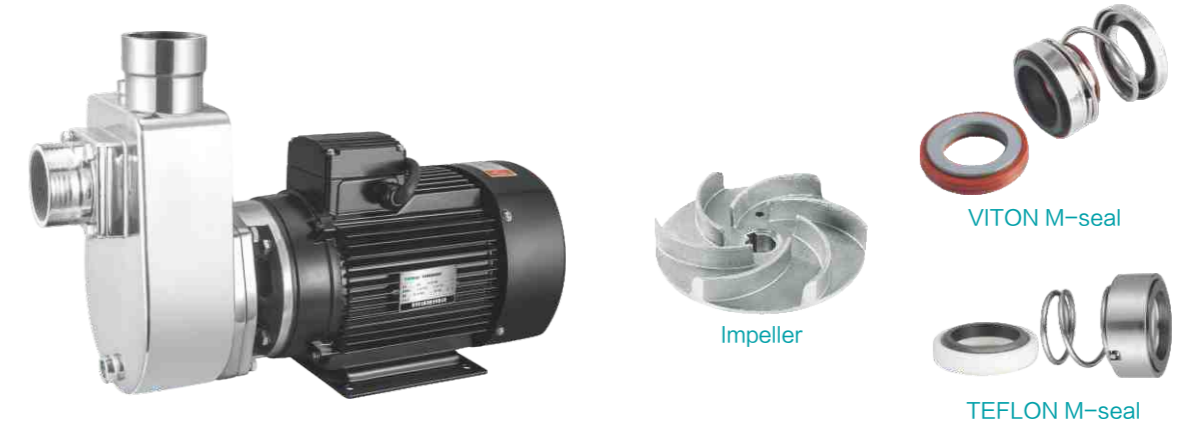




**WB(S)**  
**STAINLESS STEEL CENTRIFUGAL PUMP**



**WBZ(S)**  
**STAINLESS STEEL SELF-PRIMING PUMP**



**Product Introduction:**

- 1、 Impeller: semi-open .
- 2、 Connection type of pump and motor: direct connection or with bearing bracket.  
The wetted parts are all made of stainless steel , sus316 welded rotor shaft.
- 3、 For customer demand,teflon mechanical seal,explosion proof motor can be choosed.

**Aplication:**

The pump can pass liquid with particles or fibers in temperature  $\leq 103^{\circ}\text{C}$ . It is widely used for food, beverage, pharmacy, sewage, chemical liquid, electroplating, bleaching, etc.