

**QDY-K2**  
Multistage Submersible Pumps



Q(D)Y-K2

**Performance Range**

- ⊙ Max. Flow: 34m<sup>3</sup>/h
- ⊙ Max. Head: 127m

**Application Limits**

- ⊙ Maximum liquid temperature +40°C
- ⊙ pH level from 6.5-8.5
- ⊙ Maximum sand content is 0.1%. Passage of suspended solids up to 0.2mm
- ⊙ Power frequency is 50Hz. Nominal voltage is 220VAC for single phase and 380VAC for three phase with the range from -10% to 10%.
- ⊙ Immersion depth from 0.5m-70m

**Certificate**

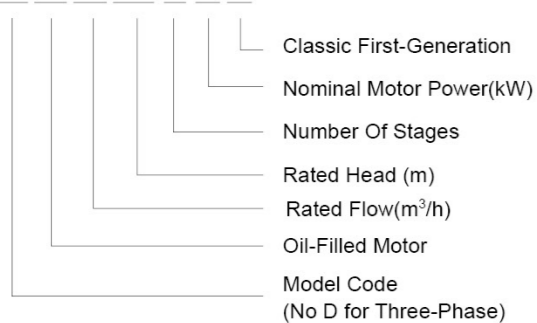


**Application Fields**

Due to multi-stage structure, Q(D)Y-K2 series pumps with high pressure are widely applied in many fields, such as agricultural irrigation, sprinkler irrigation, garden irrigation, water supply for wells, reservoirs, aquaculture, etc.

**Model Instruction**

QD Y 3 45 / 3 1.1 K2



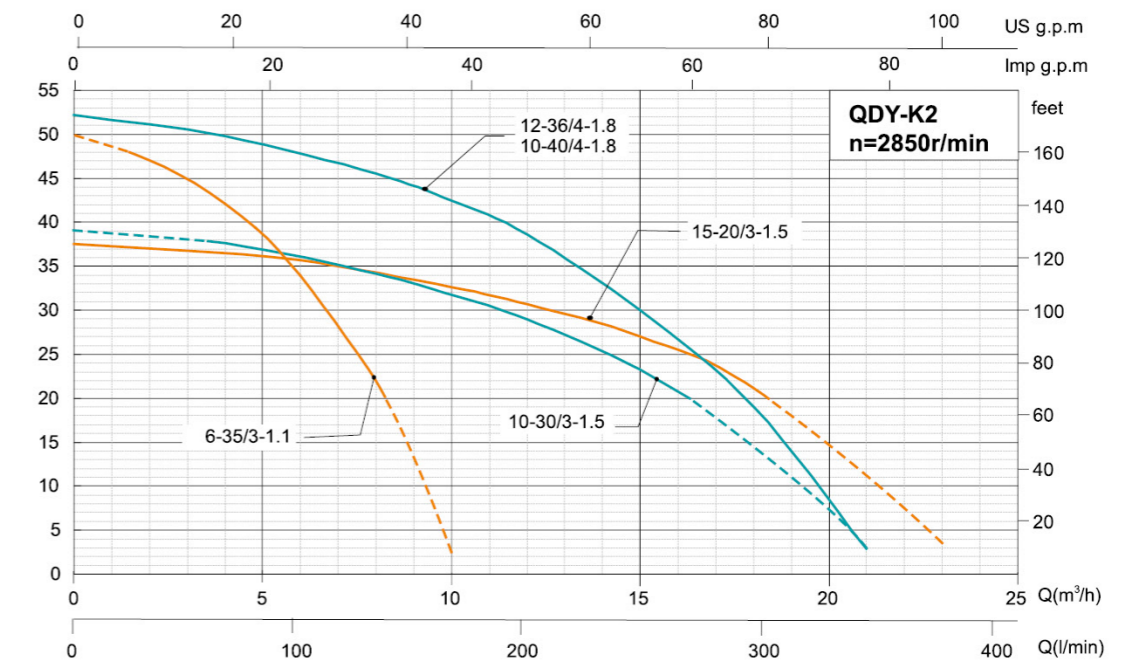
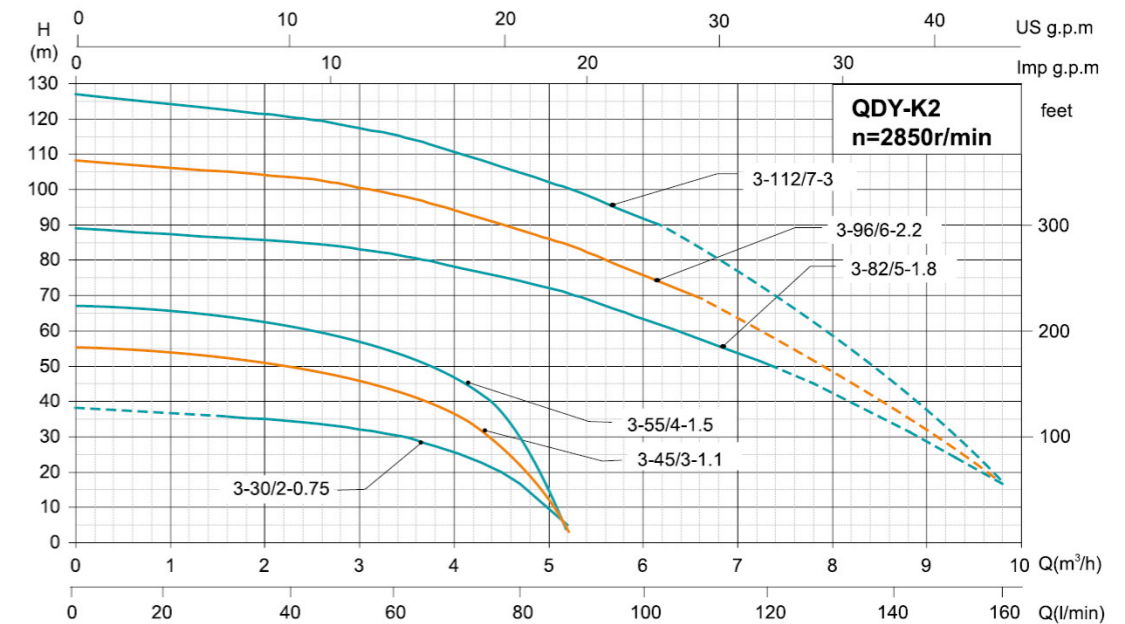
**Features**

- ⊙ Oiled well pump motor structure, portable and durable.
- ⊙ The impeller and flow components are of engineering plastics which apply to use in seawater.
- ⊙ High head, multistage centrifugal pump.

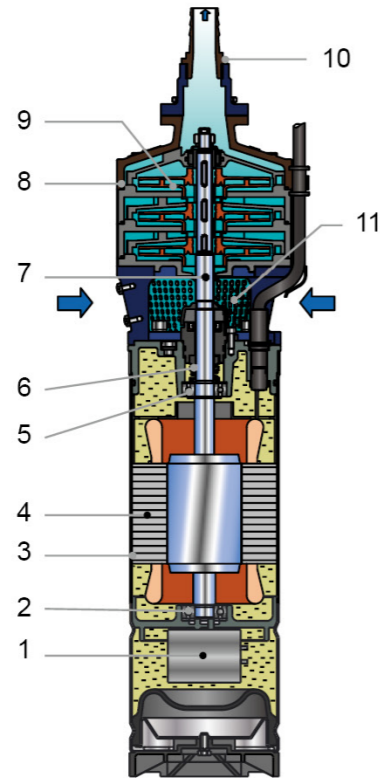
**Optional Available On Request**

(\*Standard configuration on Page 23)

**Performance Curves**



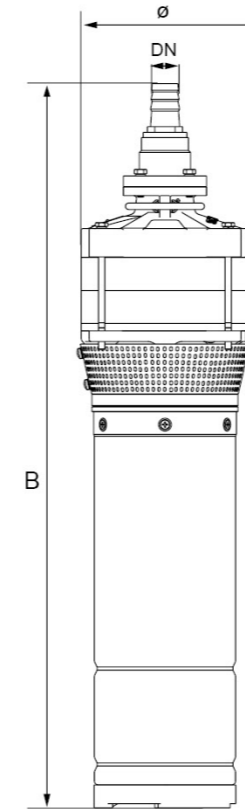
Components & Materials



	Power(kW)	0.75	1.1	1.5	1.8	2.2	3
1	Capacitor (uF)	30 μF/450V.AC	35 μF/450V.AC	40 μF/450V.AC	45 μF/450V.AC	60 μF/450V.AC	/
2	Lower Bearing	6203	7203B	7203B	7204B	7204B	7204B
3	Motor Casing	AISI 201					
4	Motor	Oil-filled submersible motor					
5	Upper Bearing	6203			6204		
6	Mechanical Seal	108-16/25 B:A(PC)			118-20/25 B:A(PC)		
7	Motor Shaft	AISI 304					
8	Pump Body	FRP+201					
9	Impeller	PPOG20					
10	Outlet	HT200					
11	Fitter Screen	AISI 430					

Mechanical seal B:Alumina ceramic A:Hot-pressing graphite P : NBR C : Stainless steel ( 06Cr19Ni10)

Dimensions & Weight

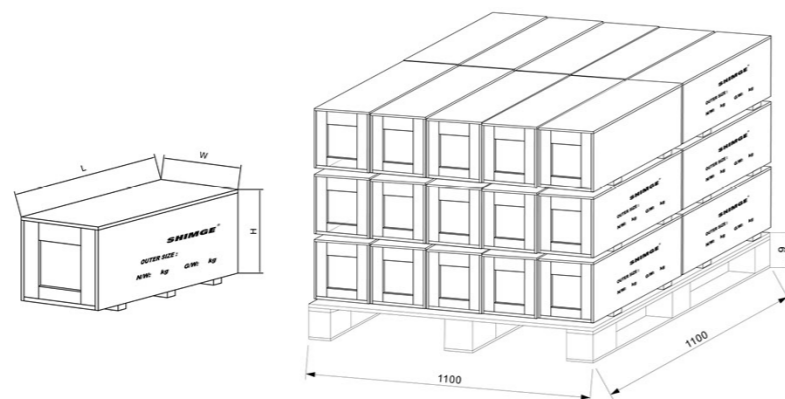


Model		Dim.(mm)			N.W. (kg)
Single-Phase	Three-Phase	ø	B	DN	
QDY3-30/2-0.75K2	-	185	615	25	26
QDY3-45/3-1.1K2	-	185	680	25	29
QDY6-35/3-1.1K2	-	185	640	38	29
QDY3-55/4-1.5K2	-	185	740	25	32
QDY10-30/3-1.5K2	-	185	690	51	33
QDY15-20/3-1.5K2	-	185	690	64	33
QDY3-82/5-1.8K2	-	185	745	25	36
QDY12-36/4-1.8K2	-	185	745	51	36
QDY10-40/4-1.8K2	-	185	745	51	36
QDY3-96/6-2.2K2	-	185	690	25	40
-	QY3-30/2-0.75K2	185	560	25	23
-	QY3-45/3-1.1K2	185	605	25	25
-	QY6-35/3-1.1K2	185	575	38	25
-	QY3-55/4-1.5K2	185	655	25	27
-	QY10-30/3-1.5K2	185	615	51	28
-	QY15-20/3-1.5K2	185	615	64	28
-	QY3-82/5-1.8K2	185	710	25	31
-	QY12-36/4-1.8K2	185	680	51	32
-	QY10-40/4-1.8K2	185	680	51	32
-	QY3-96/6-2.2K2	185	750	25	33
-	QY3-112/7-3K2	185	795	25	35
-	QY20-36/2-3K2	246	685	64	44.5

**Performance Details & Dimensions & Weight**

Model		Power		Rate Current (A)	Max.Flow (m <sup>3</sup> /h)	Max.Head (m)	Head Range (m)	Cable line (m)	Dim.mm (L×W×H)	G.W. (kg)	20' Loading Qty. (pcs)
Single-Phase	Three-Phase	kW	HP								
QDY3-30/2-0.75K2	-	0.75	1	4.8	5	38	0~36	3*1-15	610×220×220	27	900
QDY3-45/3-1.1K2	-	1.1	1.5	7	5	55	0~54	3*1-15	660×220×220	30	800
QDY6-35/3-1.1K2	-	1.1	1.5		10	50	20~48	3*1-15	660×220×220	30	800
QDY3-55/4-1.5K2	-	1.5	2	8.8	5	67	0~66	3*1.5-15	725×220×220	33	800
QDY10-30/3-1.5K2	-	1.5	2		21	39	20~38	3*1.5-15	725×220×220	34	800
QDY15-20/3-1.5K2	-	1.5	2		23	37	20~37	3*1.5-15	725×220×220	34	800
QDY3-82/5-1.8K2	-	1.8	2.4	12.8	9	89	50~88	3*1.5-15 ☆	840×235×240	42	486
QDY12-36/4-1.8K2	-	1.8	2.4		21	52	0~52	3*1.5-15 ☆	840×235×240	42	486
QDY10-40/4-1.8K2	-	1.8	2.4		21	52	0~52	3*1.5-15 ☆	840×235×240	42	486
QDY3-96/6-2.2K2	-	2.2	3	13.5	9	108	70~107	3*1.5-15 ☆	905×235×240	46	486
-	QY3-30/2-0.75K2	0.75	1	2	5	38	0~36	4*0.75-15	560×220×220	24	1000
-	QY3-45/3-1.1K2	1.1	1.5	3	5	55	0~54	4*0.75-15	610×220×220	26	900
-	QY6-35/3-1.1K2	1.1	1.5		10	50	20~48	4*0.75-15	610×220×220	26	900
-	QY3-55/4-1.5K2	1.5	2	3.4	5	67	0~66	4*1-15	660×220×220	28	800
-	QY10-30/3-1.5K2	1.5	2		21	39	20~38	4*1-15	660×220×220	29	800
-	QY15-20/3-1.5K2	1.5	2		23	37	20~37	4*1-15	660×220×220	29	800
-	QY3-82/5-1.8K2	1.8	2.4	5.2	9	89	50~88	4*1-15	765×235×240	36	567
-	QY12-36/4-1.8K2	1.8	2.4		21	52	0~52	4*1-15	765×235×240	38	567
-	QY10-40/4-1.8K2	1.8	2.4		21	52	0~52	4*1-15	765×235×240	38	567
-	QY3-96/6-2.2K2	2.2	3	5.5	9	108	70~107	4*1-15	805×235×240	39	567
-	QY3-112/7-3K2	3	4	6.7	9	127	90~125	3*1.5+1*1-15	855×235×240	41	486
-	QY20-36/2-3K2	3	4		34	46	30~40	3*1.5+1*1-20	725×290×315	50	392

Centrifugal pumps are not recommended to be used less than the lift range.



**QY Multistage Submersible Pumps**



QY

**Performance Range**

- ⊙ Max. Flow: 360m<sup>3</sup>/h
- ⊙ Max. Head: 190m

**Application Limits**

- ⊙ Maximum liquid temperature +40°C
- ⊙ pH level from 6.5-8.5
- ⊙ Maximum sand content is 0.1%. Passage of suspended solids up to 0.2mm
- ⊙ Power frequency is 50Hz. Nominal voltage is 380VAC for three phase with the range from -10% to 10%.
- ⊙ Immersion depth from 0.5m-5m

**Certificate**

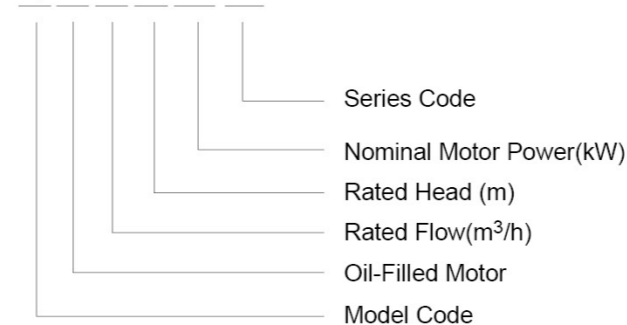


**Application Fields**

Due to multi-stage structure, QY-L1/L2 series pumps with high pressure are widely applied in many fields, such as agricultural irrigation, sprinkler irrigation, garden irrigation, water supply for wells or reservoirs, aquaculture, etc.

**Model Instruction**

Q Y 100 - 6 - 3 L1/L2



**Features**

- ⊙ Wear-resistant whole cast iron parts design.
- ⊙ Compact structure, easy to use.
- ⊙ High quality double sides mechanical sealing to be reliable operating.

**Optional Available On Request**

(\*Standard configuration on Page 30)