



PX-203E



PX-404E



PX-804E

PX-E

Performance Range

Max. Flow: 14m³/h  
Max. Head: 45m

Application Limits

- ◎ The conveying medium is clean water and other liquids with similar properties to water
- ◎ Medium temperature range 0°C ~+90°C ;
- ◎ The pH of the medium is between 6.5 and 8.5
- ◎ The volume ratio of solid impurities is not more than 0.1%, and the particle size is not more than 0.2mm
- ◎ The voltage is single-phase AC 220V, and the voltage fluctuation range is ±10% of the rated value.

Certificate



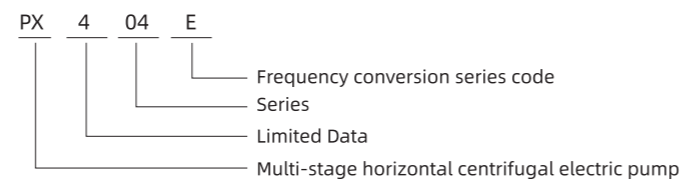
Basic Configuration

- ◎ Synchronous motor speed: 1000 ~ 3000r/min
- ◎ Frequency: 50Hz
- ◎ Protection level: IPX4
- ◎ Insulation grade: PX203E (F grade); PX404E (B grade); PX804E (F grade)

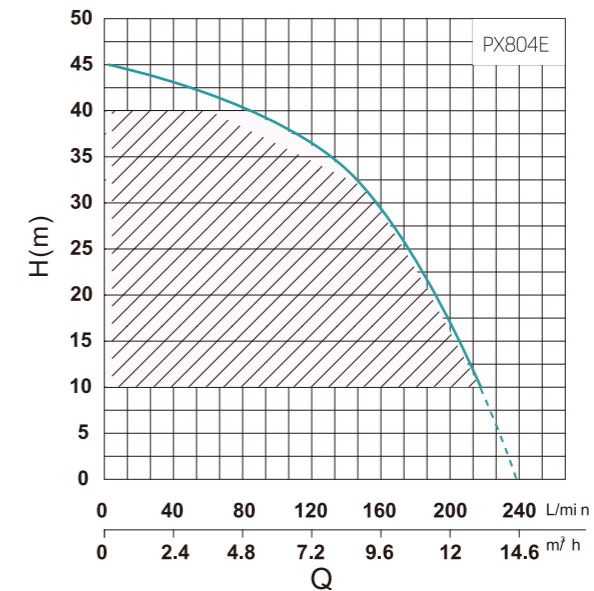
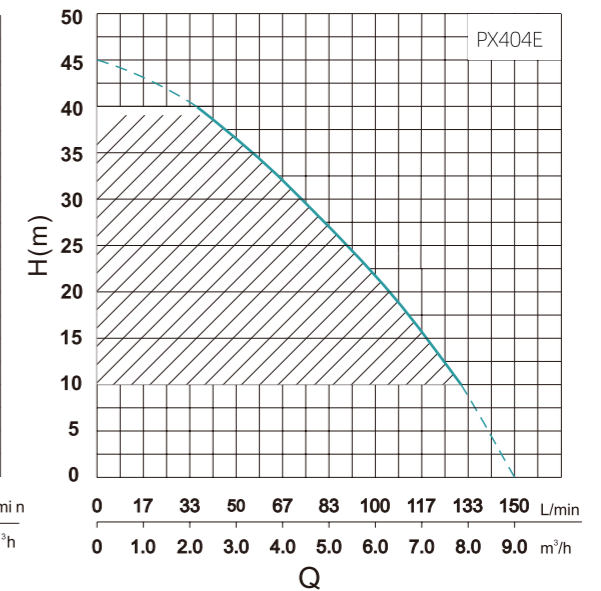
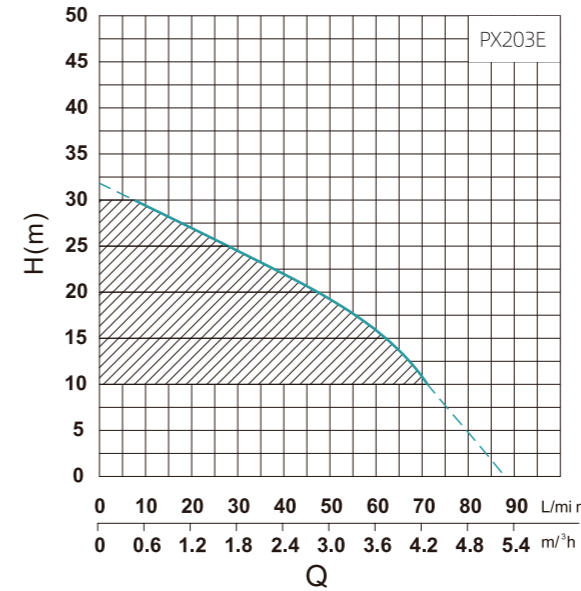
Application Fields

Villa water supply pressurization, community water supply pressurization, school water supply pressurization, small commercial water supply pressurization

Model Instruction

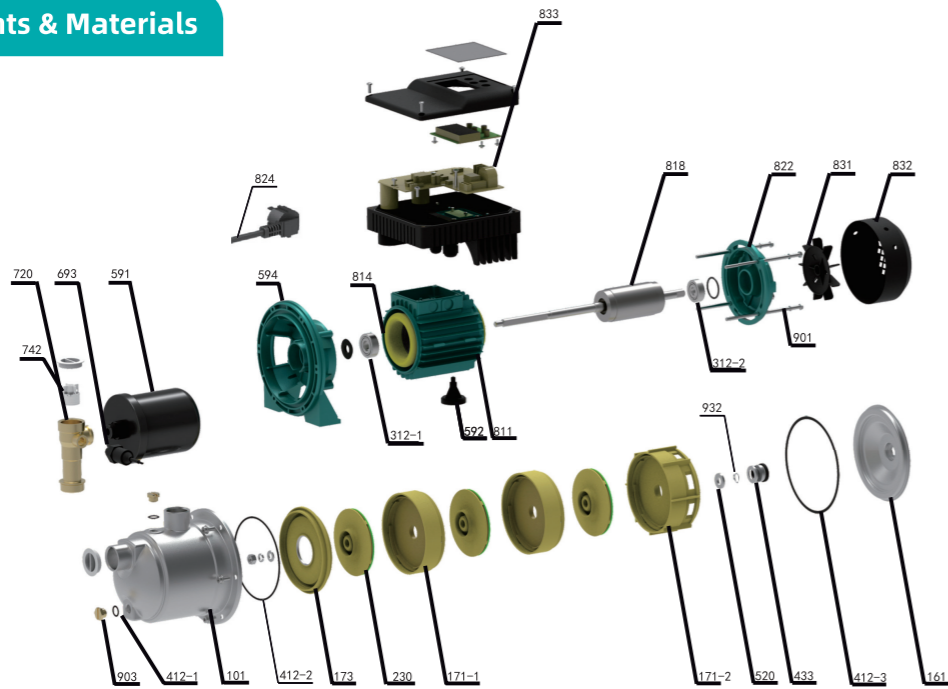


Performance Curve



Model	Power		Max. Flow (m³/h)	Max. Head (m)	Head Range (m)	Max. Suction (m)
	kW	HP				
PX203E	0.37	0.5	5	32	10~30	7
PX404E	0.75	1	9	45	10~40	7
PX804E	1.5	2	14	45	10~40	7

Components & Materials

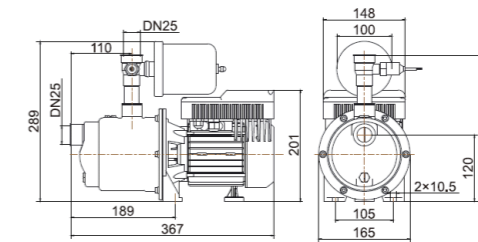


No.	Part name	No.	Part name	No.	Part name
173	Front guide vane cover plate	824	Cable (domestic)	742	Check valve
832	Fan cover	594	Connector	720	Four-way connector
811	Casing	591	Pressure tank	161	Pump cover
818	Rotor	693	Pressure sensor	433	Mechanical seal
412-1	O-ring	520	Shaft sleeve	903	Vent cock
900	Hexagon head bolt	592	Foot	814	Stator core with winding
833	PX203E variable frequency controller	101	Pump body	321-1	Deep groove ball bearing
230	Impeller	831	Fan\QB60	412-3	O-ring
171-1	Guide vane	321-2	Deep groove ball bearing	412-2	O-ring
171-2	Rear guide vane	822	Rear end cover	932	Circlip for shaft

Model	PX203E	PX404E	PX804E
Capacitor	/	/	/
End cap Bearing	6201-2RZ	6202-2RZ	6204-2RZ
Connection Part Bearing	6201-2RZ	6203-2RZ	6204-2RZ
Motor Shaft	420#	420#	45#+304#
Mechanical Seal	108-12/21&S:A(RC)&Static ring26	108-14/25&S:A(PC)Static ring28	108-16/25&S:A(PC)&Static ring30
Motor Case	Aluminum shell	Aluminum shell	Aluminum shell
Coupling	Aluminum	Aluminum	Aluminum
Pump Body	304#	304#	304#
Impeller	plastic	plastic	plastic

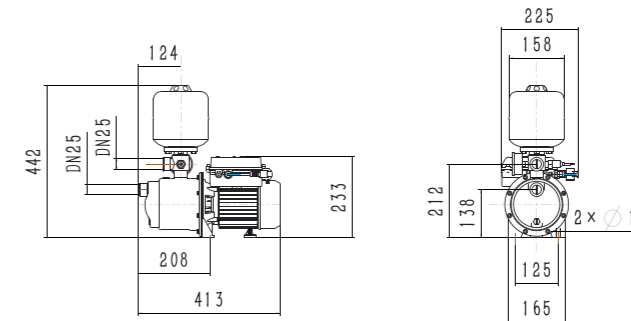
Packing Size & Weight

Model	Dim.(LxWxH) mm	N.W. (kg)	G.W. (kg)	20'Loading Qty. (pcs)
PX203E	390x195x320	9.0	9.5	1151



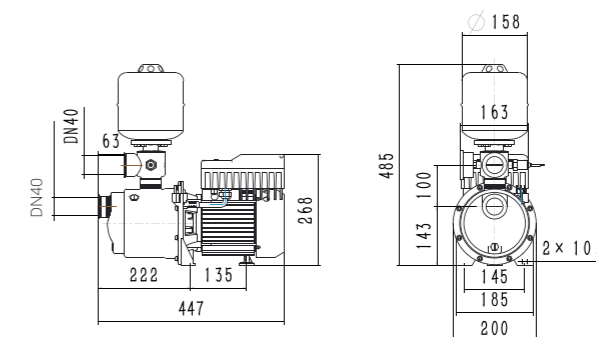
PX203E

Model	Dim.(LxWxH) mm	N.W. (kg)	G.W. (kg)	20'Loading Qty. (pcs)
PX404E	450x235x475	13.7	15.3	557



PX404E

Model	Dim.(LxWxH) mm	N.W. (kg)	G.W. (kg)	20'Loading Qty. (pcs)
PX804E	510x240x530	18.8	20.7	432



PX804E