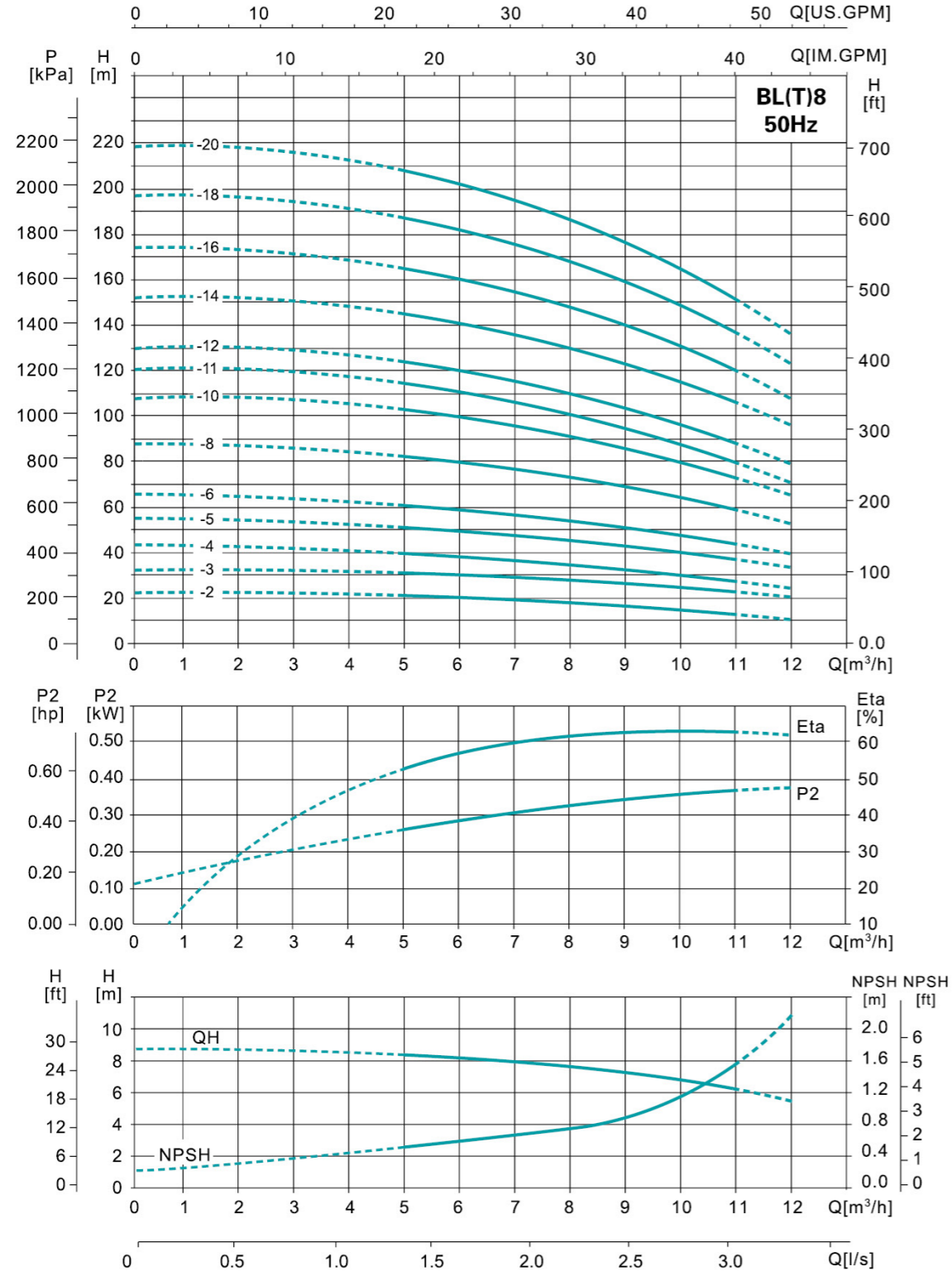


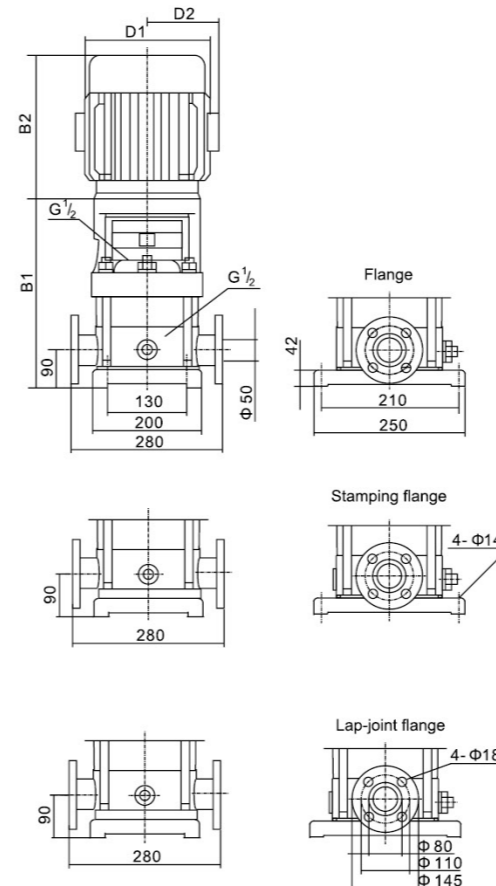
Performance Curve - BL(T)8



It is recommended to be used within lift range.

Performance Table

Model	Power		Q (m³/h)	5	6	7	8	9	10	11	Head Range (m)
	kW	HP									
BL(T)8-2	0.75	1	20	19.5	19	18	17	16	14	14~20	
BL(T)8-3	1.1	1.5	30	29.5	28.5	27	25	24	21	21~30	
BL(T)8-4	1.5	2	41	39.5	38	36	34	32	28	28~41	
BL(T)8-5	2.2	3	52	50	48	45	42	40	36	36~52	
BL(T)8-6	2.2	3	62	60	57	54	51	48	43	43~62	
BL(T)8-8	3	4	83	80	77	73	69	65	58	58~83	
BL(T)8-10	4	5.5	104	100	97	92	87	81	73	73~104	
BL(T)8-11	4	5.5	114	110	106	101	95	86	80	80~114	
BL(T)8-12	5.5	7.5	124	120	116	111	104	92	87	87~124	
BL(T)8-14	5.5	7.5	145	141	136	130	122	113	102	102~145	
BL(T)8-16	5.5	7.5	166	161	156	148	139	130	118	118~166	
BL(T)8-18	7.5	10	187	182	175	167	157	146	134	134~187	
BL(T)8-20	7.5	10	208	202	195	186	175	163	150	150~208	



Dimensions & Weight

Model	Dim.(mm)					N.W.(kg)
	B1	B2	B1+B2	D1	D2	
BL(T)8-2	375	247	622	155	124	36/43
BL(T)8-3	405	247	652	155	124	38/45
BL(T)8-4	440	260	700	175	137	42/49
BL(T)8-5	470	285	755	175	137	46/53
BL(T)8-6	500	285	785	175	137	47/54
BL(T)8-8	570	232	893	195	151	55/63
BL(T)8-10	630	341	971	219	169	65/72
BL(T)8-11	660	341	1001	219	169	66/73
BL(T)8-12	715	395	1110	258	188	84/92
BL(T)8-14	774	395	1169	258	188	86/94
BL(T)8-16	834	395	1229	258	188	89/96
BL(T)8-18	894	395	1289	258	188	95/102
BL(T)8-20	954	395	1349	258	188	97/104