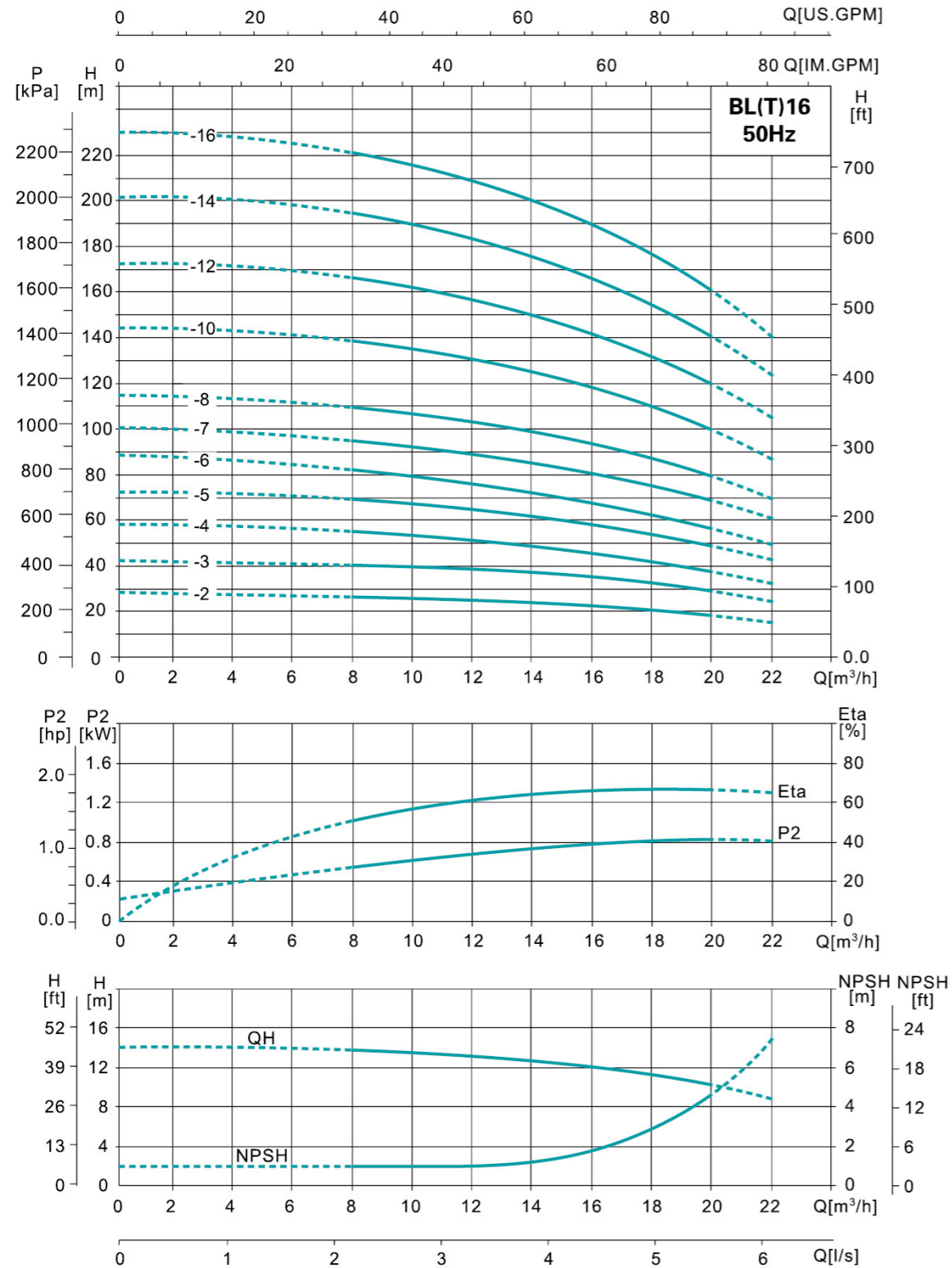


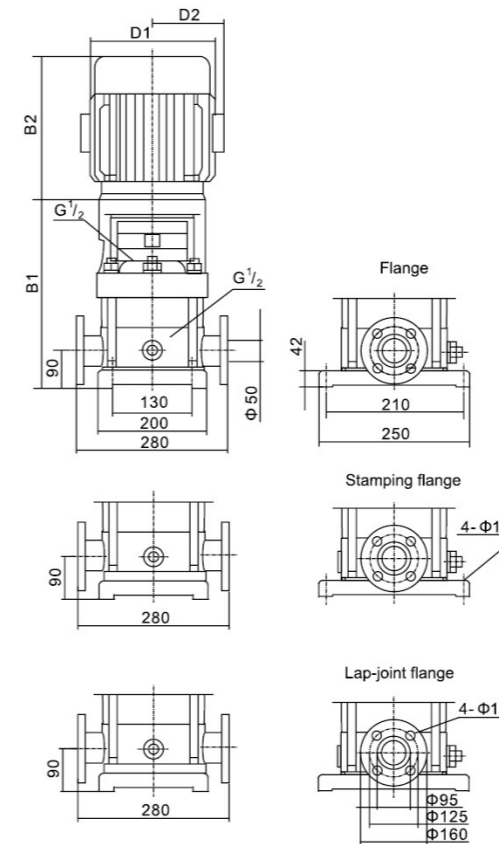
Performance Curve - BL(T)16



It is recommended to be used within lift range.

Performance Table

Model	Power		Q (m³/h)	8	10	12	14	16	18	20	Head Range (m)
	kW	HP									
BL(T)16-2	2.2	3	H (m)	27	26	25	24	22	21	19	19~27
BL(T)16-3	3	4		41	40	38	37	34	32	29	29~41
BL(T)16-4	4	5.5		54	53	52	49	46	43	38	38~54
BL(T)16-5	5.5	7.5		68	67	65	62	58	54	48	48~68
BL(T)16-6	5.5	7.5		82	80	78	74	70	64	58	58~82
BL(T)16-7	7.5	10		96	95	91	87	82	76	68	68~96
BL(T)16-8	7.5	10		110	108	104	99	94	86	77	77~110
BL(T)16-10	11	15		138	136	131	125	118	109	97	97~138
BL(T)16-12	11	15		166	162	157	150	141	130	116	116~166
BL(T)16-14	15	20		194	190	184	175	166	152	136	136~194
BL(T)16-16	15	20		222	217	210	200	189	174	156	156~222



Dimensions & Weight

Model	Dim.(mm)					N.W.(kg)
	B1	B2	B1+B2	D1	D2	
BL(T)16-2	410	300	710	166	115	45/53
BL(T)16-3	465	325	790	191	128	52/60
BL(T)16-4	510	355	865	212	140	61/69
BL(T)16-5	581	395	976	258	163	79/88
BL(T)16-6	626	395	1021	258	163	81/90
BL(T)16-7	671	395	1066	258	163	84/95
BL(T)16-8	716	395	1111	258	163	86/97
BL(T)16-10	837	498	1335	315	251	164/173
BL(T)16-12	927	498	1425	315	251	167/176
BL(T)16-14	1017	498	1515	315	251	181/189
BL(T)16-16	1107	498	1605	315	251	184/192